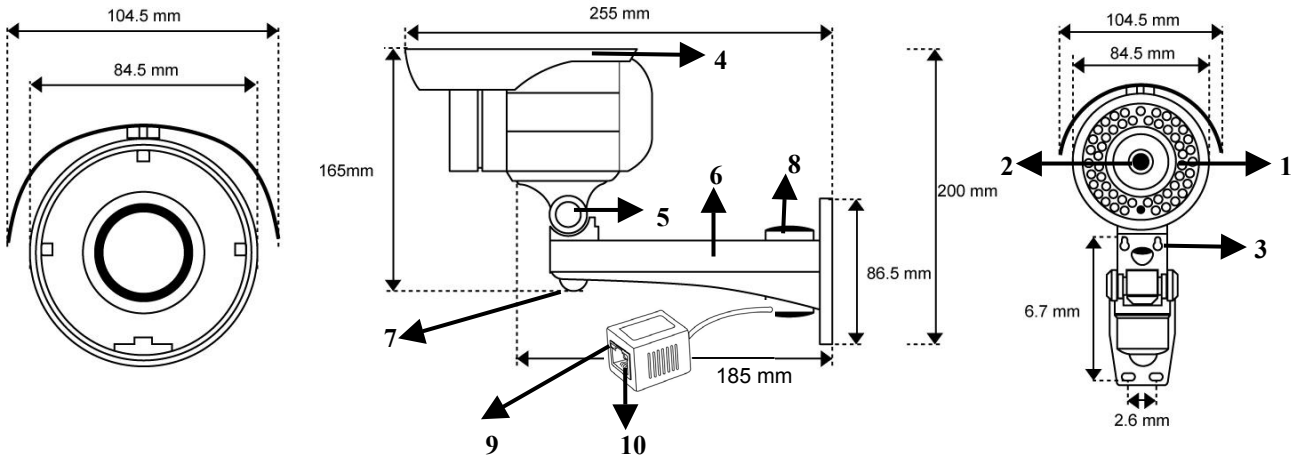


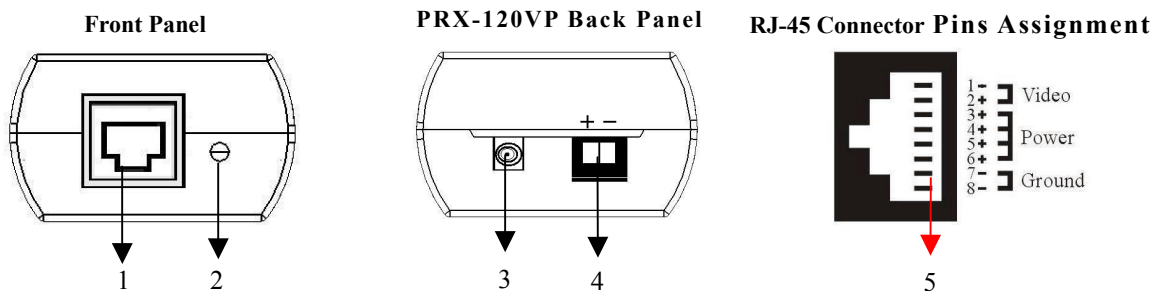
IR-540836-F80 IR Waterproof Camera User Manual V1.1

■ IR-540830-F80 IR Camera Function Description:



- 1.) **IR LED:** There are 36 pcs ϕ 8 IR LED which will be turned on when the light is lower than 0.5 Lux.
- 2.) **Lens:** 8 mm IR Lens. Provide 12mm as alternative choice.
- 3.) **Fix Hole:** There are 4 holes to fix wall mount bracket.
- 4.) **Sunshade Cover:** To prevent the sunshine to camera directly.
- 5.) **Vertical Screw:** To adjust the vertical position of camera.
- 6.) **Wall Mount Bracket:** To fix camera on the wall and store cable inside the bracket.
- 7.) **Horizontal Screw:** To adjust the horizontal position of camera.
- 8.) **Cabling Outlet:** To connect the outside cable via these holes.
- 9.) **LED:** Power indicator, **Green LED On:** Power on. **Green LED Off:** No Power. **Yellow LED:** Reserve
- 10.) **RJ-45 connector:** To transmit Power and Video signals via UTP cable. Please refer to the RJ45 pin assignment.

■ PRX-120VP Function Description: (On DVR site)



- 1.) **RJ-45 connector:** To transmit Power and Video signals via UTP cable. Please refer to the pin assignment.
 - 2.) **LED:** Power indicator, **LED On:** Power on. **LED Off:** Not enough power or No Power.
 - 3.) **BNC Cable:** For video output to DVR.
 - 4.) **Terminal Blocks:** Power input for power transmission. Accept power range DC 12-24V or AC 24V-28V.
- ⚠ WARNING:** This camera **MUST** use DC 24V or AC 24V-28V power adapter for power transmission.
- 5.) **RJ-45 pin Assignment:** Connect the 4-pair UTP cable between DVR site and camera end for video/power transmission.

■ Installation Notes:

1. Please use point-to-point Unshielded Twisted Pair wire, 24-16 AWG, Category 2, 3, 4, 5, or 6.
2. Please measure the wire distance, Use only transceivers that are designed for that distance.

- Please make sure the pair of wires carrying the video signal is sent as a twisted pair (e.g. the Blue-white/White-blue wires twisted together as a pair), not a “split-pair” (e.g. blue-white conductor, part of one pair / orange-white conductor, part of another pair).

■ **Installation Warning:**

- Please DO NOT USE SHIELD TWISTED PAIR WIRE. This will cause severe degradation on distance performance and reduce the inherent interference immunity.
- Please DO NOT have “bridge-taps” or loading coils in installation.
- If the phone company provides the cable runs between buildings, make sure it’s “dry copper”.
- Due to near-end cross talk, don’t send a transmitted and a received signal in the same wire bundle. For safety, DO NOT put UTP cable in the same conduit as high-voltage wiring.

Specification:

Item	Model	IR-540836-F80
Image Device		1/3“ SONY Super HAD CCD
Effective Picture Elements		NTSC: 768 x 494 (H x V) / PAL: 752 x 582 (H x V)
Horizontal Resolution		540 TVL
Minimum Illumination		0.1Lux. / F2.0 (Day), 0 Lux. (IR On)
S/N Ratio		More than 50dB (AGC off)
Shutter Speed Control		NTSC 1/60~1/100,000s, PAL1/50~1/100,000s
Scanning System		NTSC: 525 TVL / PAL: 625 TVL
Lens Furnished		8 mm / F2.0 (optional: 12mm)
Gain Control		Auto
White Balance		Auto
Back Light Compensation		Auto
Gamma Characteristic		0.45
Waterproof		IP 67
Infrared Luminary		36 pieces 850 nm ϕ 8 IR-LED
Illuminate Distance		Up to 40m
Sync. System		Internal
Power Consumption		DC24V/240mA; AC24V: 6W (IR On): DC24V/45mA; AC24V: 1.5W (IR Off)
Transmission Distance		Video/Power transmission up to 300 meters via Cat. 5 UTP cable
Operation Temperature		-10 °C ~ 50°C
Weight		0.92 Kg



Phone: 886-3-510-3001 Fax: 886-3-510-3002

Email: support@i-view.com.tw

Website: www.i-view.com.tw

