



Mobile

Waterproof IR Bullet Network Camera

IR-2MIPL12

H.265 | True WDR | Starlight | Motorized Lens | Smart IR | IP66

Overview

i-View AnyCam® IR-2MIPL12 is an In-Camera facial recognition network camera that can identify known threats instantly. Facial recognition is a perfect complement to your existing surveillance system, enhancing security and/or customer experience in real-time. Whether you wish to recognize, identify or verify a person, a camera and recorder with facial recognition capability is an efficient solution. The camera can work with PlateFinder® Mobile ALPR server to configure a perfect mobile license plate number recognition system to instantly identify illegal vehicles, such as the stolen, hit-and-run, unpaid taxes, or unpaid fines.

i-View IR-2MIPJ12 camera also provides a detailed 2-Megapixel resolution and H.265 high-efficiency compression technology. It offers a Starlight sensor and True WDR enhancement for unparalleled visibility in extremely bright and dark environments. For installers to properly adjust the focus of a megapixel network camera can be difficult due to the image detail; the Smart Focus function makes installation and adjustment easier. The waterproof IP66 rating and the ability to withstand temperatures from -30 °C to 55 °C weather resistance, vibration, and shock resistance features deliver impressive results outdoors and in harsh environments.

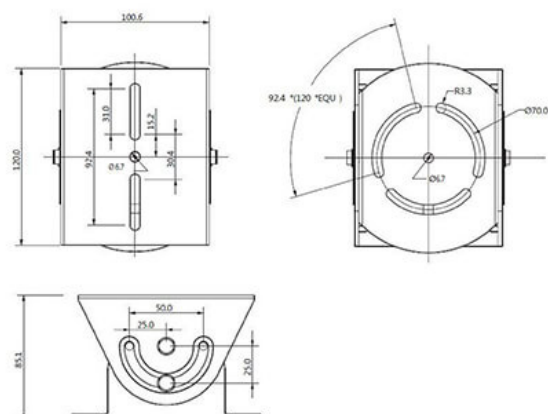
Features

- Onvif compliant and RTSP protocol support.
- Advance H.265 ULCR compression save 60~80% bandwidth and storage size compare with H.264.
- Search and playback the video clips of SD card from Web Browser.
- Auto alarm when SD card and Network failed, IP conflict, Illegal access.
- Support export/restore system configuration for backup purpose.
- Removable IR-cut filter for Day & Night function.
- Quick Zoom® to simple the Zoom and Auto-focus adjustment remotely.
- Built-in 4 pieces VCSEL IR Illuminators, effective up to 20 meters.
- Vibration, and shock resistance, IP 66 Weather-proof rated Housing.
- WDR Enhancement for Unparalleled Visibility in Extremely Bright and Dark Environments.
- Smart IR to adjust the IR LED light across the entire area to get a well to illuminate the image.
- H.265/H.264 /MJPEG multiple simultaneous streams.
- On-camera motion detection and privacy mask.
- Pixel Counter and FPS display on the video for image clarity measurement to get the optimum video quality and file size.
- Virtual ePTZ for efficiency surveillance.
- ROI (Region of Interest) encoding is used to enhance the quality of images which are specified in advance.
- Built-in heater & Fan to support wide temperature (-30° C ~ 55° C) range.

Accessories



Bracket Dimension



Specification

Platform	32-Bits image process DSP ; 512MB Flash; 1024MB DDR IIRAM and Linux 2.6 Embedded O.S.
Image Device	1/2.8" 2MP Sony Start light Progressive Scan CMOS
Audio	G.711 Ulaw G.711A AAC audio encoding and decoding. 2Vp-p audio in; 30mw audio output with 600Ω impedance.
Network	IP4, IP6, HTTP, HTTPS, SSL, TCP, RTSP, UDP, SMTP, FTP, DHCP, DNS, DDNS, NTP, PPPoE, UPnP, Multicast, RTP, RTCP, SNTP, RTMP, ICMP, IGMP.
Interface	RJ-45; 10BASE-T/100 BASE-TX.
Compatible	Onvif Profile S compliant
Security	Mac no. and IP address filter, Password aProtection, User access log, Multi-level user access with password protection.
Management	
Time	Manual Time Setting; Time Server, NTP support and RTC.
Event Trigger	Events triggered, sensor with configured schedule.
Notification	Event notification, move preset, send email and alarm output.
Update	Online Firmware update.
I/O	DC power, RJ-45 (Standard) Audio in x1; Audio out x1, SD Card, Alarm in x2, Alarm out x1. (Optional)
Video Setting	
Compress	H.265/MP, H.264 HP/MP, Motion detection compression.
Frame Rate	30fps for all resolution; Frame rate and bit Rate adjustable.
Bit Rate	16K – 8M Bits/sec. CBR/VBR mode.
Configure	Import/Export parameters, Restore, Default setup
Resolution	Streaming 1: 1920x1080, 1280x960, 1280x720, D1, VGA, CIF Streaming 2: 1280x720, 720x576, 352x288

Control	Brightness, Contrast, Saturation, Sharpness, Hue, Exposure, Motion detection, Mirror, Corridor mode, Shutter, Privacy mask, Flicker less, 3D Noise reduction, Defog, IRIS, AWB, AGC, Backlight, WDR, ROI, ePTZ, Audio gain, Alarm in/out, IRIS, Network Failed detect, SD card filed detect, FTP, Email, Power Frequency, Alarm triggered, Frame/Bit rate display.
Shutter	Slow shutter, Auto / Fixed: 1/1s~1/50,000s
WDR	≥ 120 dB; True WDR/DWDR/OFF Mode.
Illumination	Color: 0.01Lux /F1.2 ; B/W: 0.001/F1.2 Lux, 0 Lux IR LED on.
Overlay	Text / Time Stamp; support more than OSD 80 characters, Front type, Front size, position & Color adjustable by user.
Browser	IE Browser
Lens & IR LED	
Lens	Motorized lens: f= 3.6-11mm/F1.4 ; f= 3.6-11mm/F1.4, P-IRIS or DC-IRIS (Optional).
IR Cut	Built in removable IR-cut filter for day & night function
IR Illuminators	4 pieces VCSEL12W IR Illuminators effective up to 20 meters. Support Smart Auto/Off/Manual IR LED control.
Storage	
SD Card	Micro SD slot for SD/SDHC card storage; IVA trigger, Network failed start recording on SD card.
Backup	Backup/Restore to device configuration file to SD or HDD.
Housing	
Case	Aluminum; adjust angle 180° (Pan)/180° (Tilt)/360° (Rotate)
Dimensions	195 x 125 x155 mm / 1.8 Kg (Including bracket, sun shield)
Operation	
Power	Maximum 3W; 15W when IR LED on. PoE DC12V
Temperature	-30° C ~ 55° C; Humidity 10% ~ 90% RH
Installation	Install on the top of the car with screw or Neodymium magnet
Certificated	CE, FCC, RoHS, IP66, IK10 Vibration Operating : 5GRMS, 5-500 Hz, 3 Axis Shock Operating: 5GRMS, Half-shin 11ms during

Product Photo



Order Information

IR-2MIPL12-Fxxxx



Vari-Focal Lens F0411: 3.6-11mm, F0622: 6-22mm

Motorized Lens: M0411: 3.6-11mm, M0622(P): 6-22mm

Fix Lens: F06: 6mm



Tel: 886-3-5103001 Fax: 886-3-5103002
Email: support@i-view.com.tw
Website: www.i-view.com.tw