



Waterproof IR Dome Network Camera

DM-12MIPS04

H.265 | True WDR | 12MP@20fps | Motorized Lens | Tampering alarm | Smart IR | IK10

Overview

i-View's DM-12MIPS04 Dome camera series is an all-around 12 MP resolution network camera, as well as is a cost-effective, all-around camera providing excellent image quality at a full frame rate in 12-megapixel resolution because it delivers our brilliant light-compensating even in challenging light conditions including low light and strong backlight, and also True WDR for clarity when there are both dark and light areas in the scene. Fully-featured with low illumination sensor and Smart IR which fully illuminates completely dark scenes for up to 30 meters.

DM-12MIPS04 weather resistance features are brilliant for indoor and outdoor surveillance, plus shock detection, impact resistance with IK10, waterproof IP66 rating and the ability to withstand temperatures from -40°C to 60°C (-40°F to 140°F), it delivers impressive results outdoors and in harsh environments. DM-12MIPS04 also offers – more! It has extra capacity for onboard analytics as well as video with audio. You can add additional functionality thanks to I/O ports. And features like remote zoom and auto rotate for corridor view keep installation fast and cost-effective.

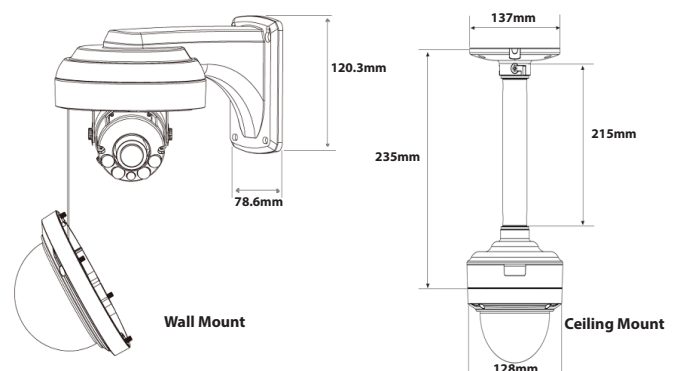
Features

- Onvif compliant and CGI, RTSP protocol support.
- H.265 compression saves bandwidth and storage size.
- Up to 30 fps @8-Megapixel | 20 fps @12-Megapixel video resolution.
- Built in TVS surge protector.
- Built-in 802.3af compliant PoE.
- Auto recording video into SD card when Network failed.
- Video and interval snapshot schedule recording on SD card or FTP server.
- Removable IR-cut filter for Day & Night function.
- Quick Zoom® simple Zoom and Auto-Focus adjustment remotely.
- Built-in 4 pieces VCSEL IR Illuminators, effective up to 30 meters.
- Vandal-proof IK10-rated, IP 66 Weather-proof rated Housing.
- True WDR Enhancement for Unparalleled Visibility in Extremely Bright and Dark Environments.
- Smart IR to adjust the IR LED light across the entire area to get a well-illuminated image.
- H.265/H.264 /MJPEG multiple simultaneous streams.
- On-camera motion detection and privacy mask.
- Pixel Counter and FPS display on the video for image clarity measurement to get the optimum video quality and file size.
- Virtual ePTZ and POP (Picture of Picture) display for efficiency surveillance.

Accessories



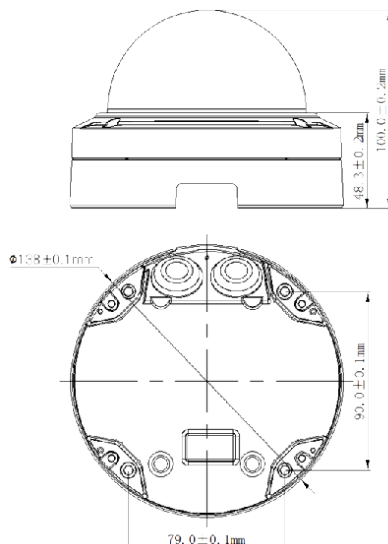
Bracket Assembly



Specification

Platform	
	High performance DSP; 1024MB Flash; 2048MB DDR II RAM and Linux 2.6 Embedded O.S.
Image Device	
	1/1.7" 12MP Sony progressive scan CMOS sensor.
Audio	
	G.711 Ulaw & G.711 Alaw audio encoding and decoding.
	External microphone input and speaker output.
	Support two-way audio. Audio gain adjustable
	2Vp-p audio in; 30mw audio output with 600Ω impedance.
Network	
Protocol	IPv4, IPv6, DNS, DDNS, DHCP, PPPoP, HTTP, HTTPS, RTSP, UDP, TCP, SSH, QoS, UPnP, SMTP, SSL, STARTTLS, SNMP V1/V2, ONVIF, CGI, Bonjour, 802.1x, Multicast, RTMP, RTP, FTP.
Interface	RJ-45; 10BASE-T/100 BASE-TX.
Compatible	Onvif compliant
Surge Protector	
Power	2KV@1.2/50 μS Common mode
Signal	6KV@102/700 μS Differential mode
Security	
	Password Protection, User access log; IP address filtering, and Mac filtering, Multi-level user access with password protection.
Management	
Time	Manual Time Setting; Time Server, NTP support, DST offset and Real Time Clock.
Event management	Events triggered by Motion detection or sensor trigger with configured schedule.
Event notification	Event notification via Pop up video, send snapshot via email and trigger alarm output.
Update	Online Firmware update.
Browser	
	Internet Explorer 7.0 and above; Chrome, Safari, Firefox with Quick time Plug-In.
Video Setting	
Compress	H.265/MP, H.264 HP/MP/BL, MJPEG compression.
Frame Rate	30fps @8MP 20fps @12MP forfor H.264 mode
Bit Rate	200K - 20M Bits/sec. CBR/VBR mode; adjustable resolution, quality and Bitrate.

Diagram



Resolution	Streaming 1: 4000x3000, 3000x3000, 3840x2190, 2592x1944, 2592x1520, 2560x1440, 2048x1536, 2304x1296, 1920x1080, 1280x1024, 1280x960, 1280x720. Streaming 2: 1280x720, 800x600, 704x480, 640x480, 640x360, 352x240, 352x180, 352x176.
Control	Brightness, Contrast, Saturation, Sharpness, Exposure, Motion detection, Mirror, Corridor mode, Shutter, Privacy mask, Flicker less, 3D Noise reduction, Defog, IRIS, AES, AWB, AGC, BLC, WDR, ROI, Audio gain, Alarm in/out. Video recording by scheduling, Network, CPU usage display, Interval schedule Snapshot (1 sec~1 week).
WDR	≥ 120 dB; True WDR; On/ Hi / Low modes
AWB	Auto/ Cloudy/ Sunny/ Fluorescent / Tungsten
Shutter	Auto / Fixed: 1/5s~1/50,000s
S/N Ratio	More than 50dB
Illumination	Color: 0.5 Lux/F1.2; B/W: 0.01 Lux/F1.2; 0 Lux IR LED on.
Overlay	Text / Time Stamp; support more than OSD 60 characters, Front size, position & Front transparency adjustable by user.
I/O Port	
Standard	Audio in x1; Audio out x1; DC power in, RJ-45, Reset.
Option	Alarm in/Out, Video Out, SD Card, Smart LED.
Lens & IR LED	
Lens	Vari Focal Lens: f=3.6-11 mm / F1.4-F2.4 (H: 106° ~32°) Motorized Lens: f=3.6-11 mm / F1.4-F2.4 (H: 106° ~32°)
IR Cut	Built in removable IR-cut filter for day & night function
IR Illuminators	4 pieces VCSEL IR Illuminators effective up to 30 meters.
Storage	
	Micro SD slot for SD/SDHC card storage; Support Pre-recording and Post recording; Alarm trigger, Motion trigger, Network failed and NVR stop recording start recording on SD card/FTP Server. Backup/Restore to device configuration file to FTP/SMTP sever.
Housing	
Case	Aluminum housing with Waterproof criterion.
Size/Weight	Ø138 mm x 100 mm (H) / 0.85Kg
Operation	
Power consumption	Maximum 3W; 8W when IR LED on. Support PoE IEEE 802.3af Class 3; DC12V/AC24 (Optional)
Temperature	-30° C ~ 55° C; Humidity 20% ~ 80% RH
Certificated	
	CE, FCC, RoHS, IP66, IK10

Order Information

DM-12MIPS04-Fxxxx-F

F: Alarm in/out, Video out, SD Card, Gyro sensor, Smart LED.

F0411: 3.6-11mm, M0411: 3.6-11mm



Tel: 886-3-5103001 Fax: 886-3-5103002
Email: support@i-view.com.tw
Website: www.i-view.com.tw