



IVA Waterproof IR Dome Network Camera

DM-2MIPA04

H.265 | IVA | True WDR | 5-50mm Focus | Motorized Lens | P-IRIS | Smart IR | IK10 | IP66

Overview

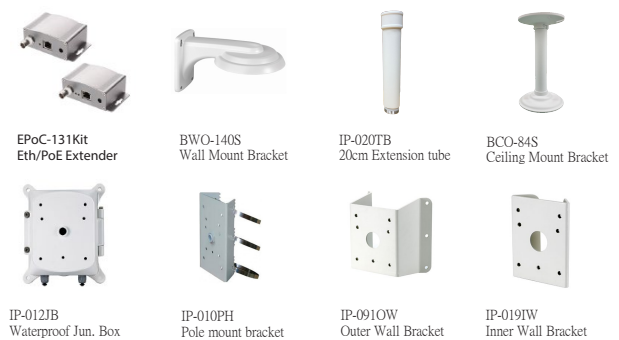
i-View has designed the DM-2MIPA04 IVA(Intelligent Video Analytics) IR Dome Network camera with the processing power needed to support high-performance edge analytics. It makes it possible to create scalable, intelligent video solutions for various video surveillance systems with varying requirements. The video analytics include several integrated video analytics that runs in the camera. One of them is Cross Line Detection, a trip-wire application that detects objects crossing a virtual line, making it possible to detect intrusions automatically and trigger alarms accordingly.

i-View IM-2MIPA04 also features a detailed 2-Megapixel resolution with H.265 high-efficiency compression technology, offering a 30 fps frame rate and True WDR enhancement for unparalleled visibility in extremely bright and dark environments, as well as for installers to adjust the focus of megapixel network camera properly can be difficult due to the image detail, the Smart Focus function makes installation and adjustment easier. The weather resistance features are brilliant for indoor and outdoor surveillance, shock detection, impact resistance with IK10, waterproof IP66 rating, and the ability to withstand temperatures from -30° C to 60° C; it delivers impressive results outdoors and in harsh environments.

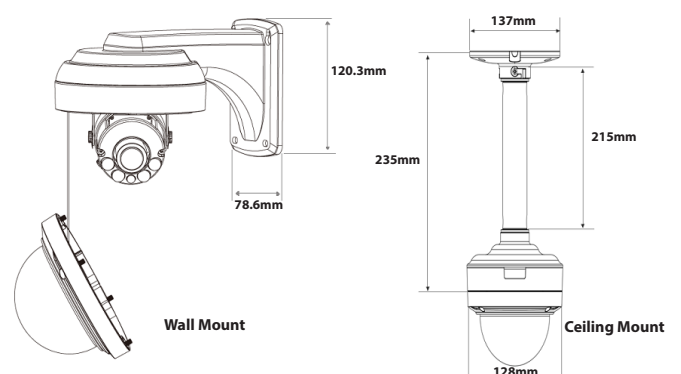
Features

- Onvif compliant and RTSP protocol support.
- Advanced H.265 ULCR compression saves 60~80% bandwidth and storage size compared with H.264.
- Support multi IVS (Intelligent Video Analysis) function.
- Search and playback the video clips of SD card from Web Browser.
- Auto alarm when SD card and Network failed, IP conflict, Illegal access
- Support export/import/restore system configuration for backup purposes.
- Built-in sound detection when abnormal audio such as Gunshot, explosion, or Baby Crying received will trigger an event alarm.
- Removable IR-cut filter supports for Day & Night application used.
- Quick Zoom® simple Zoom and Auto-Focus adjustment remotely.
- Smart IR Illuminators adjust the IR LED light across the entire area to get a well-illuminated image, effective up to 30 meters.
- Vandal-proof IK10-rated, IP 66 Weather-proof rated Housing.
- True WDR Enhancement for Unparalleled Visibility in Extremely Bright and Dark Environments.
- H.265/H.264 /MJPEG multiple simultaneous streams.
- On-camera motion detection and privacy mask.
- Pixel Counter and FPS display on the video for image clarity measurement to get the optimum video quality and file size.
- Virtual ePTZ for efficiency surveillance.
- ROI (Region of Interest) encoding is used to enhance the quality of images which specify in advance.
- Adjustable auto reboot schedule by day, weekly, once, and disabled.
- Wide operation temperature (-30° C ~ 60° C) rage.

Accessories



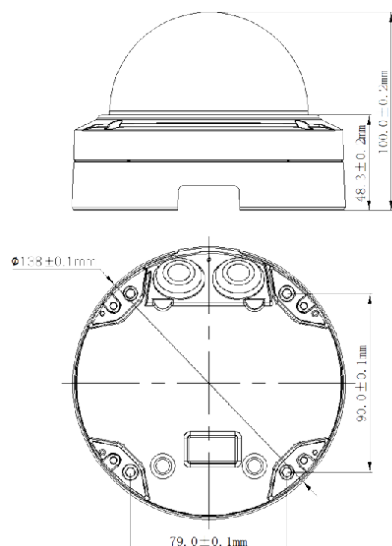
Bracket Assembly



Specification

Platform	High-performance DSP; 512MB Flash; 1024MB DDR II RAM and Linux 2.6 Embedded O.S.	Resolution	Streaming 1: 1920x1080, 1280x960, 1280x720, 720x576, 640x480, 640x360, 352x288 Streaming 2: 720x576, 640x480, 640x360, 352x288 Streaming 3: 1920x1080, 1280x960, 1280x720, 720x576, 640x480, 640x360, 352x288
Image Device	1/2.8" 2MP Sony progressive scan CMOS sensor.	Control	Brightness, Contrast, Saturation, Sharpness, Hue, Exposure, Motion detection, Mirror, Corridor mode, Gamma Shutter, Privacy mask, Flicker-less, 3D Noise reduction, Defog, IRIS, AWB, AGC, Backlight, WDR, ROI, ePTZ, Audio gain, Alarm in/out, IVS trigger, IRIS, Network Failed to detect, SD card filed detect, FTP, Email, Power Frequency, IP Conflict, Illegal Access, Alarm triggered, Frame/Bit rate display.
Audio	G.711 Ulaw audio encoding and decoding. Support two-way audio. Audio in/out gain adjustable 2Vp-p audio in; 30mw audio output with 600Ω imedance.	Shutter	Slow shutter, Auto / Fixed: 1/1s~1/100,000s
Network	Protocol IP4, IP6, HTTP, HTTPS, SSL, TCP, RTSP, UDP, SMTP, FTP, DHCP, DNS, DDNS, NTP, PPPoE, UPnP, Multicast, RTP, RTCP, SNTP, RTMP, ICMP, IGMP.	White Balance	Auto/ Customize/ Incandescent/ Fluorescent/ Warm / Natural
Interface	RJ-45; 10BASE-T/100 BASE-TX.	Backlight	Off/ Highlight correction/ Backlight correction
Compatible	Onvif Profile S compliant	Display Mode	16:9 / 4:3/ Full/ Original size modes.
IVA Functions	Object Counting, Unattended/Missing Object Detection, Loitering Detection, Tripwire Detection, Smart Motion Detection, Color Cast Detection, Lose Focus Detection, Image Expose Detection, Video Loss Detection, Audio Detection, and Tamper Detection.	Overlay	Text / Time Stamp; support more than OSD 80 characters, Front type, Front size, position & Color adjustable by user.
Surge Protector	Power 2KV@1.2/50 μS Common mode Signal 6KV@102/700 μS Differential mode	I/O Port	Standard Audio in x1; Audio out x1; DC power in, RJ-45, SD Card. Option Alarm in x2, Alarm out x1.
Management	Time Manual Time Setting; Time Server, NTP support, DST Bias, and Real Time Clock. Event Trigger Triggered by IVA, the sensor with the configured schedule. Event notification Event notification via Pop up video, move PTZ camera preset, send an email, and trigger alarm output. Update Online Firmware update.	Security	Password Protection, User access log protection.
Browser	Internet Explorer 9.0 and above; Chrome, Safari, Firefox with Quick Time Plug-In.	Lens & IR LED	Lens Vari Focal: f= 2.7-13.5mm/F1.4; 6-22mm/F1.4; 5-50mm/F1.4 Motorized: f= 2.7-13.5mm/F1.4 ; 2.8-12mm/F1.4; 5-50mm/F1.4 P-IRIS or DC-IRIS (Optional). IR Cut Built-in removable IR-cut filter for day & night function IR Illuminators 4 pieces VCSEL IR Illuminators adequate up to 30 meters. Support Smart Auto/Off/Manual IR LED control.
Video Setting	Compress H.265,H.264 HP/MP/BL, MJPEG encode, CBR/VBR mode Frame Rate 30ps for the rest resolution; Frame and bit Rate are adjustable. Bit Rate 6K - 32M Bits/sec. Adjustable resolution, quality, and Bitrate. Backup Import/Export parameters, Restore setup. S/N Ratio More than 50dB WDR ≥ 100 dB; True WDR/DWDR/OFF Mode. Illumination Color: 0.05Lux/F1.2 ; B/W: 0.01/F1.2 Lux, 0 Lux IR on.	Storage	SD Card Micro SD slot for SD/SDHC card storage; IVA trigger, Network failed to start recording on SD card. Backup Backup/Restore the device configuration file to SD or HDD.
		Housing	Case Aluminum; adjust angle 180° (Pan)/180° (Tilt)/360° (Rotate) Dimensions Ø138 mm x 100 mm (H) / 0.85Kg Operation Power Maximum 3W; 9W when IR LED on. consumption Support PoE IEEE 802.3af Class 3; DC12V/AC24 (Optional) Temperature -30° C ~ 60° C; Humidity 20% ~ 80% RH Certificated CE, FCC, UL, RoHS, IP66, IK10

Diagram



Order Information

DM-2MIPA04-Fxxxx-F

F: Alarm in/Out, Audio in/Out

Vair-Focal: F0314: 2.7-13.5mm, F0622: 6-22mm, F0550: 5-50mm
Motorized: M0314: 2.7-13.5mm, M0622: 6-22mm, M0550= 5-50mm
Fixe Lens: F03: 2.8mm, F04: 3.6mm, F06: 6mm, F08: 8mm



i-view
i-View Communication Inc.

Tel: 886-3-5103001 Fax: 886-3-5103002
Email: support@i-view.com.tw
Website: www.i-view.com.tw

