



## IVA Economic Waterproof IR Dome Network Camera

# DM-2MIPA04-M0312

IVA | H.265 | WDR | 2MP@30fps | Smart IR | IK10 | IP 67 | 30M IR

### Overview

i-View has designed the DM-2MIPA04-M0312 IVA (Intelligent Video Analytics) IR Dome Network camera with the processing power needed to support high-performance edge analytics. It makes it possible to create scalable, intelligent video solutions for a wide range of video surveillance systems with varying requirements. The video analytics include several integrated video analytics that runs in the camera. Cross Line Detection is a trip-wire application that detects objects crossing a virtual line, making it possible to detect intrusions and trigger alarms automatically. i-View's DM-2MIPA04-M0312 camera can provide a frame rate of 30 fps at a resolution of 2 megapixels while offering H.265 high-efficiency compression. The True WDR enhancement capability provides unparalleled visibility in extremely bright and dark environments and many advanced features, allowing the user to utilize the high-definition video fully. The ePTZ function lets users zoom in and focus on a region of interest (ROI) in the camera view with only a few clicks of a mouse. As with other accurate day&night models, the camera comes with a removable IR-cut filter and 30 meters IR LEDs to provide excellent clarity and contrast 24 hours a day. The IP67 and IK10 ratings offer a robust solution suitable for demanding outdoor environments.

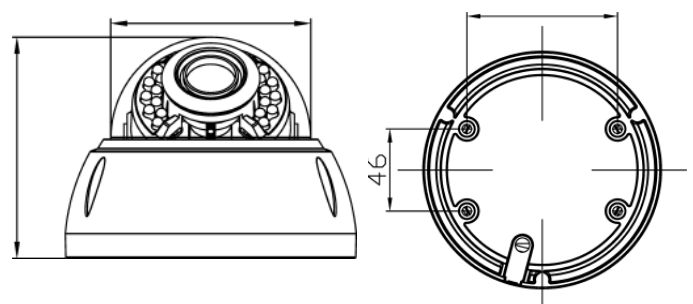
### Features

- Onvif compliant and RTSP protocol support.
- Advance H.265 ULCR compression save 60~80% bandwidth and storage size compare with H.264.
- Support multi IVS (Intelligent Video Analysis) function.
- Search and playback the video clips of HDD from Web Browser.
- Auto alarm when Network failed, IP conflict, Illegal access.
- Support export/import/restore system configuration for backup purpose.
- Removable IR-cut filter and threshold adjustable for Day & Night application used.
- Smart IR Illuminators adjust the IR LED light across the entire area to get a well illuminated image, effective up to 30 meters.
- IK10 Vandal-proof and IP 67 Weather-proof rated Housing.
- H.265+/H.265/H.264 /MJPEG multiple simultaneous streams.
- On-camera motion detection and privacy mask.
- Pixel Counter and FPS display on the video for image clarity measurement to get the optimum video quality and file size.
- Virtual ePTZ for efficiency surveillance.
- ROI (Region of Interest) encoding is used to enhance the quality of images which are specified in advance.
- Adjustable auto reboot schedule by day, weekly, once and disable.
- Wide operation temperature (-25° C ~ 55° C) range.

### Accessories



### Bracket Assembly

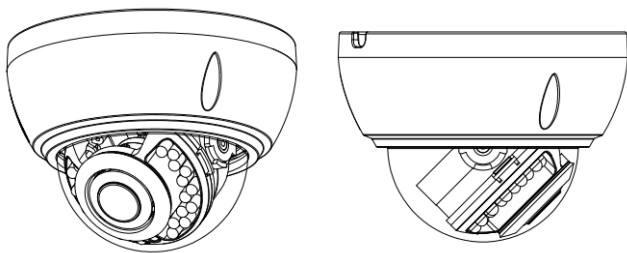


## Specification

Platform	High performance DSP; 512MB Flash; 1024MB DDR II RAM and Linux 2.6 Embedded O.S.
Image Device	1/2.8" 2MP progressive scan CMOS sensor.
Audio (Optional)	G.711 Ulaw audio encoding and decoding. Support two-way audio. Audio in/out gain adjustable 2Vp-p audio in; 30mw audio output with 600Ω impedance.
Network	IP4, IP6, HTTP, HTTPS, SSL, TCP, RTSP, UDP, SMTP, FTP, DHCP, DNS, DDNS, NTP, PPPoE, UPnP, Multicast, RTP, RTCP, SNTP, RTMP, ICMF, IGMP.
Interface	RJ-45; 10BASE-T/100 BASE-TX.
Compatible	Onvif Profile S, G, T compliant
IVA Functions	Object Counting, Unattended/Missing Object Detection, Cross line Detection, Fence detection (In/Out/ In+Out/Loitering modes ), Motion Detection, Tamper Detection.
Surge Protector	
Power	2KV@1.2/50 μS Common mode
Signal	6KV@102/700 μS Differential mode
Management	
Time	Manual Time Setting; Time Server, NTP support, DST Bias and Real Time Clock.
Event Trigger	Events triggered by IVA, sensor with configured schedule.
Event notification	Event notification via Pop up video, send email and trigger.
Update	Online Firmware update.
Browser	Internet Explorer 7.0 and above; Chrome, Safari, Firefox with Quick time Plug-In.
Video Setting	
Compress	H.265+ / H.265 / H.264 / MJPEG encode, CBR/VBR mode.
Frame Rate	30fps for all resolution; Frame and bit Rate djustable.
Bit Rate	16K - 8M Bits/sec. adjustable resolution, quality and Bitrate.
Backup	Import/Export parameters, Restore setup.
S/N Ratio	More than 50dB
Illumination	Color: 0.001Lux @F1.6 AGC on ; B/W: 0.0005 Lux/F1.6 AGC on, 0 Lux when IR on.

Resolution	Streaming 1: 1920x1080, 1280x960, 1280x720, 704x576. Streaming 2: 704x576, 640x480, 640x360. Streaming 3: 352x288
Control	Brightness, Contrast, Saturation, Sharpness, Hue, Motion detection, Mirror, Corridor mode, Shutter, Privacy mask (4 areas), Flicker less, 2D/3D Noise reduction, Defog, IRIS, AGC, WDR, ePTZ, Audio gain, IVS trigger, Network Failed detect, Email, Power Frequency, IP Conflict, Illegal Access, Frame/Bit rate display.
WDR	≥ 120 dB; DWDR/HLC/BLC/OFF Mode.
Shutter	Auto / Fixed: 1/1s~1/100,000s
White Balance	Auto/User define/ Sodium lamp/ Couldy/Sunshine/Auto2
Flip	Mirror (0° /180° ), Corridor (90° /270° )
Remote Access	Up to 10 users access simultaneously
Overlay	Watermark/Text / Time Stamp; 8 OSD lines more than 80 characters, Front type, size, position & color adjustable.
I/O Port	
Standard	DC power in, RJ-45, Audio in, Audio out
Option	Alarm in x1; Alarm out x1
Security	Password Protection, User access log, IP address/ Mac filter, RTSP/ONVIF authentication, ARP protection, Privilege levels protection.
Lens & IR LED	
Lens	2.8mm/F1.0, View angle: 106° (H)   56° (V)   115° (D)
IR Cut	Built in removable IR-cut filter for day & night function
IR Illuminators	IR Illuminators effective up to 30 meters. Support Smart auto/ Off/Manual IR LED control.
Storage	
Backup	Backup device configuration, continue recording, alarm trigger recording, and IVA trigger video file to ANR, NAS, or SD card (Up to 256G capability).
Housing	
Case	Aluminum; adjust angle 180° (Pan)/180° (Tilt)/360° (Rotate)
Dimensions	Ø120 mm x 86.5 mm (H) / 0.6Kg
Operation	
Power consumption	Maximum 3W; 8 W when IR LED on. Support PoE IEEE 802.3af Class 3; DC12V power input
Temperature	-25° C ~ 55° C; Humidity 20% ~ 80% RH
Certificated	CE, FCC, UL, RoHS, IP67, IK10

## Diagram



## Order Information

### DM-2MIPA04-M0312

2 Megapixels Fix Dome IP camera with 2.8mm Lens

## Company Information



**i-View Communication Inc.**

Secure your world in ours

Tel: 886-3-5103001

Fax: 886-3-5103002

Email: support@i-view.com.tw

Website: www.i-view.com.tw

