



Waterproof IR Dome Network Camera

DM-2MIPB36

IVA | H.265 | WDR | 2MP@30fps | Smart IR | IK10 | IP 66

Overview

i-View has designed the DM-2MIPB36 IVA(Intelligent Video Analytics) IR Bullet Network camera with the processing power needed to support high-performance edge analytics. It makes it possible to create scalable, intelligent video solutions for various video surveillance systems with varying requirements. The video analytics include several integrated video analytics that runs in the camera. Cross Line Detection is a trip-wire application that detects objects crossing a virtual line, making it possible to detect intrusions and trigger alarms automatically.

i-View DM-2MIPB36 also features a detailed 2-Megapixel resolution with H.265 high-efficiency compression technology, offering a 30 fps frame rate, allowing the user to utilize the high definition video fully. The ePTZ function lets users zoom in, and Smart IR Illuminators adjust the IR LED light across the entire area to get a well-illuminated image. The camera comes with a removable IR-cut filter and 50 meters IR LEDs to provide excellent clarity and contrast 24 hours a day. The IP66 and IK10 ratings offer a robust solution suitable for demanding outdoor environments.

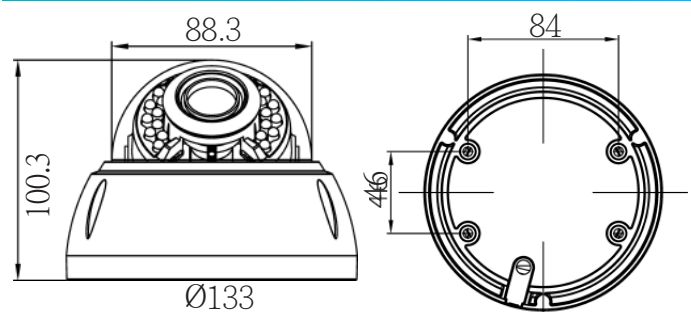
Features

- Onvif compliant and RTSP protocol support.
- Advance H.265 ULCR compression save 60~80% bandwidth and storage size compare with H.264.
- Support multi IVS (Intelligent Video Analysis) function.
- Search and playback the video clips of HDD from Web Browser.
- Auto alarm when Network failed, IP conflict, Illegal access.
- Support export/import/restore system configuration for backup purposes.
- Removable IR-cut filter supports for Day & Night application used.
- Smart IR Illuminators adjust the IR LED light across the entire area to get a well-illuminated image, effective up to 50 meters.
- Vandal-proof IK10-rated, IP 66 Weather-proof rated Housing..
- Digital WDR Enhancement for Unparalleled Visibility in Extremely Bright and Dark Environments.
- H.265/H.264 multiple simultaneous streams.
- On-camera motion detection and privacy mask.
- Pixel Counter and FPS display on the video for image clarity measurement to get the optimum video quality and file size.
- Virtual ePTZ for efficiency surveillance.
- Wide operation temperature (-25° C ~ 55° C) rage.

Accessories



Dimension



Unit: mm

Specification

Platform	High performance DSP; 512MB Flash; 1024MB DDR II RAM and Linux 2.6 Embedded O.S.
Image Device	1/2.8" 2MP Sony progressive scan CMOS sensor.
Audio (Optional)	G.711 Ulaw audio encoding and decoding. Support two-way audio. Audio in/out gain adjustable Line/Microphone audio; Audio output 600Ω imedance.
Network	IP4, IP6, HTTP, SSL, TCP, RTSP, UDP, SMTP, DHCP, DNS, DDNS, NTP, UPnP, Multicast, RTP, RTCP, RTMP, ICMP, IGMP.
Interface	RJ-45; 10BASE-T/100 BASE-TX.
Compatible	Onvif Profile S compliant
IVA Functions	Object Counting(4 Lines), Unattended/Missing(4 Areas), Loitering Detection (4 Areas), Tripwire Detection(4 lines), Motion Detection, Tamper Detection(3 Levels).
Surge Protector	
Power	2KV@1.2/50 μ S Common mode
Signal	6KV@102/700 μ S Differential mode
Management	
Time	Manual Time Setting; Time Server, NTP support, DST Bias and Real Time Clock.
Event Trigger	Events triggered by IVA, sensor with configured schedule.
Event notification	Event notification via Pop up message, send email.
Update	Online Firmware update.
Browser	Internet Explorer 7.0 and above.
Video Setting	
Compress	H.265, H.264 HP/MP/BL encode, CBR/VBR mode
Frame Rate	30fps for all resolution; Frame and bit Rate djustable.
Bit Rate	256K - 4M Bits/sec. adjustable resolution, quality FPS and Bitrate.
Backup	Import/Export parameters, Restore setup.
S/N Ratio	More than 50dB
3DNR	Off/Low/Mid/Mid-High/High
AGC	Low/Mid/Mid-High/High/Higher

Resolution	Streaming 1: 1920x1080 Streaming 2: 704*576, 640x480, 640x360.
Control	Brightness, Contrast, Saturation, Sharpness, Hue, Motion detection, Mirror, Privacy mask, Flicker less, 3DNR, Defog, AGC, WDR, ePTZ, AWB, IVS trigger, Network Failed detect, Email, Power Frequency, IP Conflict, Illegal Access, Time stamp/ Text/ Frame/Bit rate display.
Motion Detection	Multi detection areas, 1~6 levels of sensitivity adjustable.
Privacy Mask	On / Off mode, support 5 Zones.
Defog	Off/Low/Mid/High modes.
Shutter	1/5s ~ 1/100,000s.
Gama	Curve1.6/ 1.8/ 2.0/ 2.2
Tamper	Off/ On, suppot 1~3 levels of sensitivity adjustable..
White Balance	Auto/ User define/ Fluorescent light /Tungsten light
Display Mode	16:9 / 4:3/ Full/ Orignal size modes.
Overlay	Text / Time Stamp; support more than OSD 80 characters, Front type, Front size, position & Color adjustable by user.
I/O Port	
Standard	DC power in, RJ-45.
Option	Audio in x1; Audio out x1
Security	Password Protection, User access log protection.
Lens & IR LED	
Lens	Vari Focal: f= 2.8-12mm/F1.4; 6-22mm/F1.4; 5-50mm/F1.4 Fixe Lens: F03: 2.8mm, F04: 3.6mm, F06: 6mm,F08: 8mm
IR Cut	Built in removable IR-cut filter for day & night function
IR Illuminators	3 pieces VCSEL IR Illuminators effective up to 30 meters. Support Smart Auto/Off/Manual IR LED control.
Storage	
Backup	Backup/Restore to device configuration file to HDD.
Housing	
Case	Aluminum; adjust angle 180° (Pan)/180° (Tilt)/360° (Rotate)
Dimensions	Ø133 mm x 100.3 mm (H) / 0.85Kg
Operation	
Power consumption	Maximum 3W; 10 W when IR LED on. Support PoE IEEE 802.3af Class 3; DC12V power input
Temperature	-20° C ~ 55° C; Humidity 20% ~ 80% RH
Certificated	CE, FCC, UL, RoHS, IP66, IK10

Photo & Drawing



Order Information

DM-2MIPB36-Fxxxx-F

F: Alarm in/out, SD Card

F0311: 2.8-12mm, F0622: 6-22mm, F0550: 5-50mm

M0312: 2.8-12mm, M0622: 6-22mm, M0550: 5-50mm



i-view
i-View Communication Inc.

Tel: 886-3-5103001 Fax: 886-3-5103002

Email: support@i-view.com.tw

Website: www.i-view.com.tw