



Waterproof IR Mini Domet Network Camera

DM-2MIPH01

H.265 | True WDR | 2MP@30fps | Compact

Overview

i-View's DM-2MIPH01 Mini Dome Camera series is an all-around 2 MP resolution network camera, as well as is a cost-effective, all-around camera providing excellent image quality at a full frame rate in 2-megapixel resolution because it delivers our brilliant light-compensating even in challenging light conditions including low light and strong backlight, and also True WDR for clarity when there are both dark and light areas in the scene. Fully-featured with low illumination sensor and Smart IR which fully illuminates completely dark scenes for up to 10 meters.

DM-2MIPH01 Outdoor-ready features are brilliant for outdoor surveillance, plus shock detection, impact resistance with IK10, waterproof IP66 rating and the ability to withstand temperatures from -20°C to 55°C , it delivers impressive results outdoors and in harsh environments.

Features

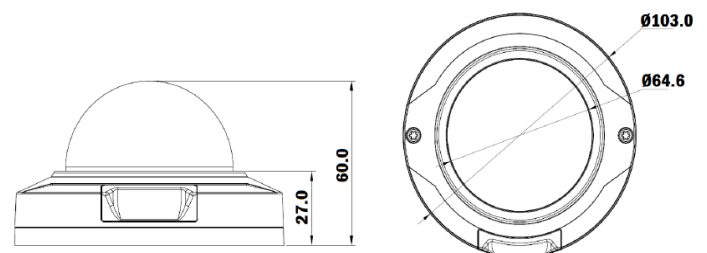
- Onvif compliant and CGI, RTSP protocol support.
- H.265 compression saves bandwidth and storage size.
- Up to 30 fps @2-Megapixel video resolution.
- Built in TVS surge protector.
- Built-in 802.3af compliant PoE.
- Removable IR-cut filter for Day & Night function.
- Built-in IR Illuminators, effective up to 10 meters.
- IP 66 Weather-proof rated Housing.
- True WDR Enhancement for Unparalleled Visibility in Extremely Bright and Dark Environments.
- H.265/H.264 /MJPEG multiple simultaneous streams.
- On-camera motion detection and privacy mask.
- Pixel Counter and FPS display on the video for image clarity measurement to get the optimum video quality and file size.
- Virtual ePTZ and POP (Picture of Picture) display for efficiency surveillance.
- Wide operation temperature (-20°C ~ 55°C) rage.

Accessories



EpoC-131Kit
Eth/PoE Extender

Diagram

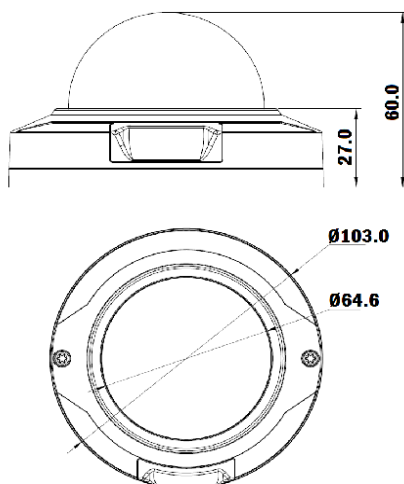


Specification

Platform	High performance DSP; 512MB Flash; 1024MB DDR II RAM and Linux 2.6 Embedded O.S.
Image Device	1/2.8" 2MP Sony progressive scan CMOS sensor.
Audio	G.711 Ulaw & G.711 Alaw audio encoding and decoding. External microphone input and speaker output. Support two-way audio. Audio gain adjustable 2Vp-p audio in; 30mw audio output with 600Ω impedance.
Network	IPv4, IPv6, DNS, DDNS, DHCP, PPPoP, HTTP, HTTPS, RTSP, UDP, TCP, SSH, QoS, UPnP, SMTP, SSL, STARTTLS, SNMP V1/V2, ONVIF, CGI, Bonjour, 802.1x, Multicast, RTMP, RTP, FTP.
Interface	RJ-45; 10BASE-T/100 BASE-TX.
Compatible	Onvif compliant
Surge Protector	
Power	2KV@1.2/50 μS Common mode
Signal	6KV@102/700 μS Differential mode
Security	Password Protection, User access log; IP address filtering, and Mac filtering, Multi-level user access with password protection.
Management	
Time	Manual Time Setting; Time Server, NTP support, DST offset and Real Time Clock.
Event management	Events triggered by Motion detection or sensor trigger with configured schedule.
Event notification	Event notification via Pop up video, send snapshot via email and trigger alarm output.
Update	Online Firmware update.
Browser	Internet Explorer 7.0 and above; Chrome, Safari, Firefox with Quick time Plug-In.
Video Setting	
Compress	H.265/MP, H.264 HP/MP/BL, MJPEG compression.
Frame Rate	30fps @2MP for all compression mode
Bit Rate	1K - 12M Bits/sec. CBR/VBR mode; adjustable resolution, quality and Bitrate.

Resolution	Streaming 1: 1920x1080, 1280x1024, 1280x960, 1280x720. Streaming 2: 1280x720, 800x600, 704x480, 640x480, 640x360, 352x240, 352x180, 352x176. Streaming 3: 352x288, 320x180., 320x176.
Control	Brightness, Contrast, Saturation, Sharpness, Exposure, Motion detection, Mirror, Corridor mode, Shutter, Privacy mask, Flicker less, 3D Noise reduction, Defog, IRIS, AES, AWB, AGC, BLC, WDR, ROI, Audio gain, Alarm in/out. Video recording by scheduling, Network, CPU usage display, Interval schedule Snapshot (1 sec~1 week).
WDR	≥ 120 dB; True WDR; On/ Hi / Low modes
AWB	Auto/ Cloudy/ Sunny/ Fluorescent / Tungsten
Shutter	Auto / Fixed: 1/5s~1/50,000s
S/N Ratio	More than 50dB
Illumination	Color: 0.05 Lux/F1.2; B/W: 0.01 Lux/F1.2; 0 Lux IR LED on.
Overlay	Text / Time Stamp; support more than OSD 60 characters, Front size, position & Front transparency adjustable by user.
I/O Port	
Standard	Audio in x1; Audio out x1; DC power in, RJ-45, Reset.
Option	Alarm in/Out,
Lens & IR LED	
Lens	Fixed lens: f = 3.6mm/F1.2; 2.8, 4, 6, 8, 12mm (Option)
IR Cut	Built in removable IR-cut filter for day & night function
IR Illuminators	IR Illuminators effective up to 10 meters.
Housing	
Case	Aluminium housing with Waterproof.
Size/Weight	Φ103 mm x 60 mm (H) / 0.26Kg
Operation	
Power consumption	Maximum 3W; 5W when IR LED on. Support PoE IEEE 802.3af Class 3; DC12V
Temperature	-20° C ~ 60° C; Humidity 20% ~ 80% RH
Certificated	CE, FCC, RoHS, IP66, IK10

Diagram

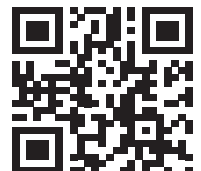


Order Information

DM-2MIPH01-Fxx



F03: 2.8mm, F04: 3.8mm, F06: 6mm, F08: 8mm,



Tel: 886-3-5103001 Fax: 886-3-5103002
Email: support@i-view.com.tw
Website: www.i-view.com.tw