



Waterproof IR Dome Network Camera

DM-2MIPH04

H.265 | True WDR | 2MP@30fps | Motorized Lens | Tampering alarm | Smart IR | IK10

Overview

i-View's DM-2MIPH04 Dome camera series is an all-around 2 MP resolution network camera, as well as is a cost-effective, all-around camera providing excellent image quality at a full frame rate in 2-megapixel resolution because it delivers our brilliant light-compensating even in challenging light conditions including low light and strong backlight, and also True WDR for clarity when there are both dark and light areas in the scene. Fully-featured with low illumination sensor and Smart IR which fully illuminates completely dark scenes for up to 30 meters.

DM-2MIPH04 weather resistance features are brilliant for indoor and outdoor surveillance, plus shock detection, impact resistance with IK10, waterproof IP66 rating and the ability to withstand temperatures from -40°C to 60°C (-40°F to 140°F), it delivers impressive results outdoors and in harsh environments. DM-2MIPH04 also offers – more! It has extra capacity for onboard analytics as well as video with audio. You can add additional functionality thanks to I/O ports. And features like remote zoom and auto rotate for corridor view keep installation fast and cost-effective.

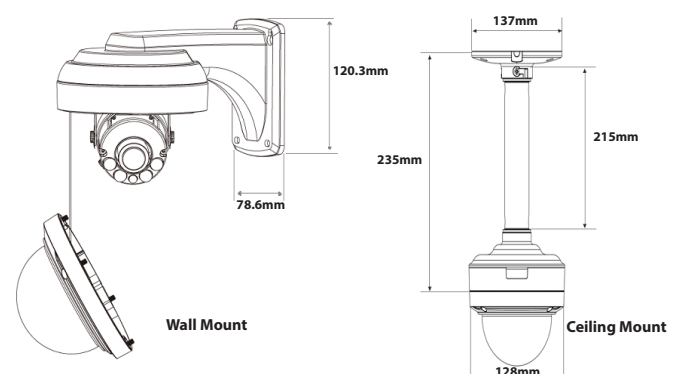
Features

- Onvif compliant and CGI, RTSP protocol support.
- H.265 compression saves bandwidth and storage size.
- Up to 30 fps @2-Megapixel video resolution.
- Built in TVS surge protector.
- Built-in 802.3af compliant PoE.
- Auto recording video into SD card when Network failed.
- Video and interval snapshot schedule recording on SD card or FTP server.
- Search and playback the video clips of SD card from Web Browser directly.
- Removable IR-cut filter for Day & Night function.
- Quick Zoom® simple Zoom and Auto-Focus adjustment remotely.
- Built-in 4 pieces VCSEL IR Illuminators, effective up to 30 meters.
- Vandal-proof IK10-rated, IP 66 Weather-proof rated Housing.
- True WDR Enhancement for Unparalleled Visibility in Extremely Bright and Dark Environments.
- Smart IR to adjust the IR LED light across the entire area to get a well-illuminated image.
- H.265/H.264 /MJPEG multiple simultaneous streams.
- On-camera motion detection and privacy mask.
- Pixel Counter and FPS display on the video for image clarity measurement to get the optimum video quality and file size.
- Virtual ePTZ and POP (Picture of Picture) display for efficiency surveillance.

Accessories



Bracket Assembly

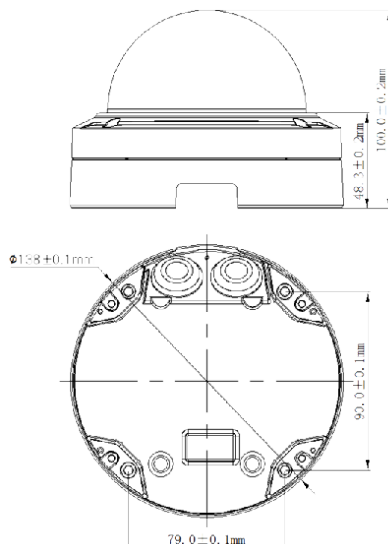


Specification

| | |
|---------------------------|-----------------------------------------------------------------------------------------------------------------------------------------------------------------------------------------------------------------|
| Platform | High performance DSP; 512MB Flash; 1024MB DDR II RAM and Linux 2.6 Embedded O.S. |
| Image Device | 1/2.8" 2MP Sony progressive scan CMOS sensor. |
| Audio | G.711 Ulaw & G.711 Alaw audio encoding and decoding. External microphone input and speaker output. Support two-way audio. Audio gain adjustable 2Vp-p audio in; 30mw audio output with 600Ω impedance. |
| Network | IPv4, IPv6, DNS, DDNS, DHCP, PPPoP, HTTP, HTTPS, RTSP, UDP, TCP, SSH, QoS, UPnP, SMTP, SSL, STARTTLS, SNMP V1/V2, ONVIF, CGI, Bonjour, 802.1x, Multicast, RTMP, RTP, FTP. |
| Interface | RJ-45; 10BASE-T/100 BASE-TX. |
| Compatible | Onvif compliant |
| Surge Protector | |
| Power | 2KV@1.2/50 μS Common mode |
| Signal | 6KV@102/700 μS Differential mode |
| Security | Password Protection, User access log; IP address filtering, and Mac filtering, Multi-level user access with password protection. |
| Management | |
| Time | Manual Time Setting; Time Server, NTP support, DST offset and Real Time Clock. |
| Event management | Events triggered by Motion detection or sensor trigger with configured schedule. |
| Event notification | Event notification via Pop up video, send snapshot via email and trigger alarm output. |
| Update | Online Firmware update. |
| Browser | Internet Explorer 7.0 and above; Chrome, Safari, Firefox with Quick time Plug-In. |
| Video Setting | |
| Compress | H.265/MP, H.264 HP/MP/BL, MJPEG compression. |
| Frame Rate | 30fps @2MP for all compression mode |
| Bit Rate | 1K - 12M Bits/sec. CBR/VBR mode; adjustable resolution, quality and Bitrate. |

| | |
|--------------------------|-------------------------------------------------------------------------------------------------------------------------------------------------------------------------------------------------------------------------------------------------------------------------------------------------------------------------------------|
| Resolution | Streaming 1: 1920x1080, 1280x1024, 1280x960, 1280x720. Streaming 2: 1280x720, 800x600, 704x480, 640x480, 640x360, 352x240, 352x180, 352x176. Streaming 3: 352x288, 320x180., 320x176. |
| Control | Brightness, Contrast, Saturation, Sharpness, Exposure, Motion detection, Mirror, Corridor mode, Shutter, Privacy mask, Flicker less, 3D Noise reduction, Defog, IRIS, AES, AWB, AGC, BLC, WDR, ROI, Audio gain, Alarm in/out. Video recording by scheduling, Network, CPU usage display, Interval schedule Snapshot (1 sec~1 week). |
| WDR | ≥ 120 dB; True WDR; On/ Hi / Low modes |
| AWB | Auto/ Cloudy/ Sunny/ Fluorescent / Tungsten |
| Shutter | Auto / Fixed: 1/5s~1/50,000s |
| S/N Ratio | More than 50dB |
| Illumination | Color: 0.02 Lux/F1.2; B/W: 0.008 Lux/F1.2; 0 Lux IR LED on. |
| Overlay | Text / Time Stamp; support more than OSD 60 characters, Front size, position & Front transparency adjustable by user. |
| I/O Port | |
| Standard | Audio in x1; Audio out x1; DC power in, RJ-45, Reset. |
| Option | Alarm in/Out, Video Out, SD Card, Smart LED. |
| Lens & IR LED | |
| Lens | Vari Focal lens: f=3-10.5mm; 2.8-12mm; 6-22mm @F1.4 Motorized lens: f=3-10.5mm; 2.8-12mm; 6-22mm @F1.4 Fixed lens: f = 3.6mm/F1.2; 2.8, 4, 6, 8, 12mm (Option) |
| IR Cut | Built in removable IR-cut filter for day & night function |
| IR Illuminators | 4 pieces VCSEL IR Illuminators effective up to 30 meters. |
| Storage | Micro SD slot for SD/SDHC card storage; Support Pre-recording and Post recording; Alarm trigger, Motion trigger, Network failed and NVR stop recording start recording on SD card/FTP Server. Backup/Restore to device configuration file to FTP/SMTP sever. |
| Housing | |
| Case | Aluminum housing with Waterproof criterion. |
| Size/Weight | Ø138 mm x 100 mm (H) / 0.85Kg |
| Operation | |
| Power consumption | Maximum 3W; 8W when IR LED on. Support PoE IEEE 802.3af Class 3; DC12V/AC24 (Optional) |
| Temperature | -40° C ~ 60° C; Humidity 20% ~ 80% RH |
| Certificated | CE, FCC, RoHS, IP66, IK10 |

Diagram



Order Information

DM-2MIPH04-Fxxxx-F

F: Alarm in/out, Video out, SD Card, Gyro sensor, Smart LED.

F03: 2.8mm, F04: 3.6mm, F06: 6mm, F08: 8mm, F12: 12mm,

F0312: 2.8-12mm, F0622: 6-22mm,

M0312: 2.8-12mm, M0622: 6-22mm



Tel: 886-3-5103001 Fax: 886-3-5103002

Email: support@i-view.com.tw

Website: www.i-view.com.tw