



Face Recognition

Waterproof IR Dome Network Camera

DM-2MIPR04

H.265, Face Recognition, True WDR, Starlight, Motorized Lens, Smart IR, IK10, IP66

Overview

i-View QkDefine® DM-2MIPR04 is an In-Camera facial recognition network camera which can identify known threats instantly. Facial recognition is a perfect complement to your existing surveillance system, enhancing security and/or customer experience in real time. Whether you wish to recognize, identify or verify a person, a camera and recorder with facial recognition capability is an efficient solution. The DM-2MIPR04 works with AnyNet NVR to a perfect Face Recognition system, an accurate, scalable, private, secure, the real-time alert crosses App, SMS, email and Central Monitoring Server will more effectively prevent crime to help you improve customer service and protect your assets by identifying important customers or potential perpetrators. It is a perfect complement to your existing surveillance system.

i-View DM-2MIPR04 also featuring a detailed 2-Megapixel resolution with H.265 high-efficiency compression technology, offering Starlight sensor and True WDR enhancement for unparalleled visibility in extremely bright and dark environments, as well as for installers to properly adjust the focus of a megapixel network camera can be difficult due to the image detail, the Smart Focus function makes installation and adjustment easier. The weather resistance features are brilliant for indoor and outdoor surveillance, plus shock detection, impact resistance with IK10, waterproof IP66 rating and the ability to withstand temperatures from -30 ° C to 55 ° C, it delivers impressive results outdoors and in harsh environments.

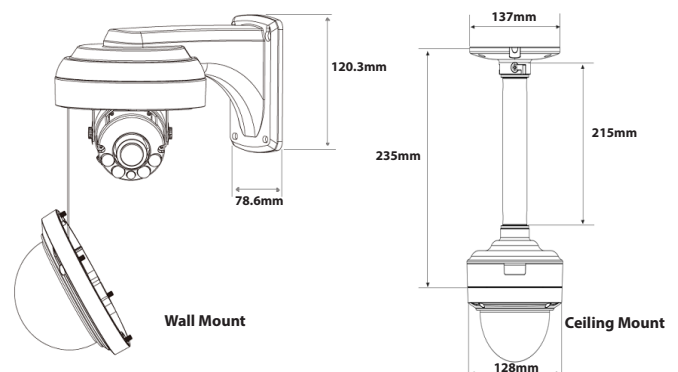
Features

- Autonomous depth learning core algorithm of Face recognition.
- Capture accuracy $\geq 99\%$, which supports the function of image quality score filtering face and removing duplication.
- Onvif compliant and RTSP protocol support.
- Advance H.265 ULCR compression save 60~80% bandwidth and storage size compare with H.264.
- Support multi IVA (Intelligent Video Analysis) function.
- Search and playback the video clips of SD card from Web Browser.
- Auto alarm when SD card and Network failed, IP conflict, Illegal access.
- Support export/import/restore system configuration for backup purpose.
- Support export/import system configuration for backup purpose.
- Removable IR-cut filter for Day & Night function.
- Quick Zoom® to simple the Zoom and Auto-focus adjustment remotely.
- Built-in 3 pieces VCSEL IR Illuminators, effective up to 30 meters.
- Vandal-proof IK10-rated, IP 66 Weather-proof rated Housing.
- WDR Enhancement for Unparalleled Visibility in Extremely Bright and Dark Environments.
- Smart IR to adjust the IR LED light across the entire area to get a well to illuminate the image and IR Illuminators effective up to 30 meters.
- H.265/H.264 /MJPEG multiple simultaneous streams.
- On-camera motion detection and privacy mask.
- Pixel Counter and FPS display on the video for image clarity measurement to get the optimum video quality and file size.
- Virtual ePTZ for efficiency surveillance.
- ROI (Region of Interest) encoding is used to enhance the quality of images which are specified in advance.
- Built-in heater & Fan to support wide temperature (-30° C ~ 55° C) rage.

Accessories



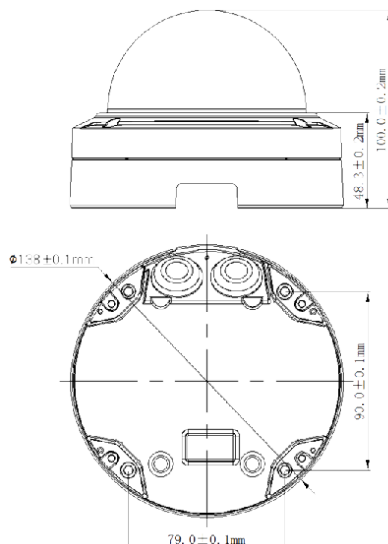
Bracket Assembly



Specification

Platform	32-Bits image process DSP ; 512MB Flash; 1024MB DDR IIRAM and Linux 2.6 Embedded O.S.	Bit Rate	16K - 8M Bits/sec. CBR/VBR mode.
Image Device	1/2" 2MP Sony Start light Progressive Scan CMOS	Configure	Import/Export parameters, Restore, Default setup
Audio	G.711 Ulaw audio encoding and decoding. 2Vp-p audio in; 30mw audio output with 600Ω impedance.	Resolution	Streaming 1: 1920x1080,1280x960,1280x720, D1,VGA,CIF Streaming 2: 1280x720, 720x576, 352x288 Streaming 3: 1920x1080,1280x960,1280x720, D1,VGA,CIF
Network	IP4, IP6, HTTP, HTTPS, SSL, TCP, RTSP, UDP, SMTP, FTP, DHCP, DNS, DDNS, NTP, PPPoE, UPnP, Multicast, RTP, RTCP, SNTP , RTMP,ICMP, IGMP.	Control	Face recognition, Face detect, Face database, Brightness, Contrast, Saturation, Sharpness, Hue, Exposure, Motion detection, Mirror, Corridor mode, Gamma Shutter, Privacy mask, Flicker less, 3D Noise reduction, Defog, IRIS, AWB, AGC, Backlight, WDR, ROI, ePTZ, Audio gain, Alarm in/ out, IVS trigger, IRIS, Network Failed detect, SD card filed detect, FTP, Email, Power Frequency, IP Conflict, Illegal Access, Alarm triggered, Frame/Bit rate display.
Protocol	IP4, IP6, HTTP, HTTPS, SSL, TCP, RTSP, UDP, SMTP, FTP, DHCP, DNS, DDNS, NTP, PPPoE, UPnP, Multicast, RTP, RTCP, SNTP , RTMP,ICMP, IGMP.	Shutter	Slow shutter, Auto / Fixed: 1/1s~1/100,000s
Interface	RJ-45; 10BASE-T/100 BASE-TX.	WDR	≥ 120 dB; True WDR/DWDR/OFF Mode.
Compatible	Onvif Profile S compliant	Illumination	Color: 0.01Lux /F1.2; B/W: 0.001/F1.2 Lux, 0Lux IR on.
Face Recognition		Overlay	Text / Time Stamp; support more than OSD 80 characters, Front type, Front size, position & Color adjustable by user.
Face Detection	Maximum detect 20 face targets simultaneously.	Browser	IE, Chrome, Safari, Firefox with Plug-In.
Database	Support 10000 Face Database.	IVA	Object Counting, Unattended/Missing Object Detect, Loitering Detect, Tripwire Detect, Color Cast Detect, Lose Focus Detect, Image Expose Detect, Video Loss Detection,Tamper Detect, Reverse direction detect, Gather detect.
Comparison	Allow manual input of photos to be compared with the face database.	Lens & IR LED	
Recognize Face	Distance between pupils ≥ 60 pixels; face ≥ 150 pixels.	Lens	Motorized lens: f= 3.6-11mm/F1.4 ; f= 3.6-11mm/F1.4, P-IRIS or DC-IRIS (Optional).
Attitude angle	Capture angle: ≤25° of pitch ≤60° angle from left to right.	IR Cut	Built in removable IR-cut filter for day & night function
Accuracy	Capture Face : ≥98% Recognize Face : ≥95%	IR Illuminators	3 pieces VCSEL IR Illuminators effective up to 30 meters. Support Smart Auto/Off/Manual IR LED control.
Speed	Recognize speed: ≤200ms.	Storage	
Face Filter	Support duplicate Face filter and detection quality filter.	SD Card	Micro SD slot for SD/SDHC card storage; IVA trigger, Network failed start recording on SD card.
Detection Area	Adjustable, define by user.	Backup	Backup/Restore to device configuration file to SD or HDD.
Occlusion	Glasses, hair banging and slight backlight have no effect.	Housing	
Security	Password Protection, User access log, Multi-level user access with password protection.	Case	Aluminum housing with Waterproof criterion.
Management		Dimensions	Ø138 mm x 100 mm (H) / 0.85Kg
Time	Manual Time Setting; Time Server, NTP support and RTC.	Operation	
Event Trigger	Events triggered by IVA, sensor with configured schedule.	Power consumption	Maximum 3W; 9W when IR LED on. PoE IEEE 802.3af; DC12V/AC24 (Optional)
Notification	Event notification, move preset, send email and alarm output.	Temperature	-20° C ~ 55° C; Humidity 10% ~ 90% RH
Update	Online Firmware update.	Certificated	CE, FCC, RoHS, IP66, IK10
I/O	DC power, RJ-45, Audio in x1; Audio out x1, SD Card, Alarm in x2, Alarm out x1.		
Video Setting			
Compress	H.265/MP, H.264 HP/MP compression.		
Frame Rate	30fps for all resolution; Frame rate and bit Rate adjustable.		

Diagram



Order Information

DM-2MIPR04-Fxxxx-F

F: Alarm in/Out, Audio in/Out

Vari-Focal Lens: F0411: 3.6-11mm, F0622: 6-22mm

Motorized Lens: M0411: 3.6-11mm, M0622(P): 6-22mm

(P= P-IRIS)



Tel: 886-3-5103001 Fax: 886-3-5103002

Email: support@i-view.com.tw

Website: www.i-view.com.tw