



IVA Waterproof IR Dome Network Camera DM-5MIPA04

H.265, IVA, True WDR, 5MP, Motorized Lens, P-IRIS, Smart IR, IK10, IP66

Overview

i-View has designed the DM-5MIPA04 IVA (Intelligent Video Analytics) IR Dome Network camera with the processing power needed to support high-performance edge analytics. This makes it possible to create scalable intelligent video solutions for a wide range of video surveillance systems with varying requirements. The video analytics include several integrated video analytics that runs in the camera such as Cross Line Detection is a trip-wire application that detects objects crossing a virtual line, making it possible to automatically detect intrusions and to trigger alarms accordingly. i-View DM-5MIPA04 also featuring a detailed 5-Megapixel resolution with H.265 high-efficiency compression technology, offering 15 fps frame rate and True WDR enhancement for unparalleled visibility in extremely bright and dark environments, as well as many advanced features, which allow the user to fully utilize the high definition video. The ePTZ function lets users zoom in and focus on a region of interest (ROI) in the camera view with only a few clicks of a mouse. For installers to properly adjust the focus of a megapixel network camera can be difficult due to the image detail. The Smart Focus function makes installation and adjustment easier. As with another true day/night models, the camera comes with a removable IR-cut filter and 30 meters IR LEDs to provide great clarity and contrast 24 hours a day, and the IP66 and IK10 rating provide a robust solution suitable for demanding outdoor environments.

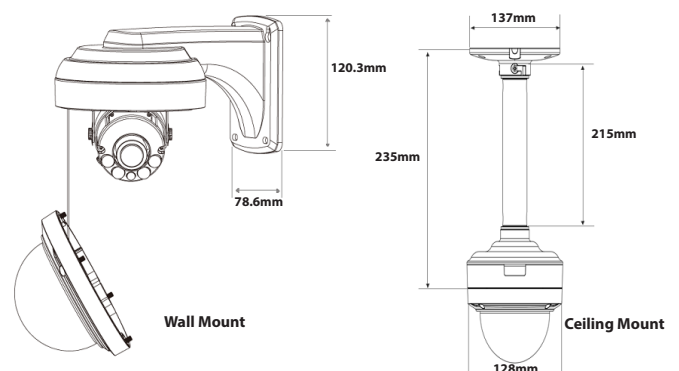
Features

- Onvif compliant and RTSP protocol support.
- Advance H.265 ULCR compression save 60~80% bandwidth and storage size compare with H.264.
- Support multi IVS (Intelligent Video Analysis) function.
- Search and playback the video clips of SD card from Web Browser.
- Auto alarm when SD card and Network failed, IP conflict, Illegal access
- Support export/import/restore system configuration for backup purpose.
- Built -in sound detection when abnormal audio such as Gunshot, explosion, Baby Crying received will trigger event alarm.
- Removable IR-cut filter and threshold adjustable for Day & Night application used.
- Quick Zoom® simple Zoom and Auto-Focus adjustment remotely.
- Smart IR Illuminators adjust the IR LED light across the entire area to get a well illuminated image, effective up to 30 meters.
- Vandal-proof IK10-rated, IP 66 Weather-proof rated Housing.
- True WDR Enhancement for Unparalleled Visibility in Extremely Bright and Dark Environments.
- H.265/H.264 /MJPEG multiple simultaneous streams.
- On-camera motion detection and privacy mask.
- Pixel Counter and FPS display on the video for image clarity measurement to get the optimum video quality and file size.
- Virtual ePTZ for efficiency surveillance.
- ROI (Region of Interest) encoding is used to enhance the quality of images which are specified in advance.
- Adjustable auto reboot schedule by day, weekly, once and disable.
- Wide operation temperature (-30° C ~ 55° C) range.

Accessories



Bracket Assembly

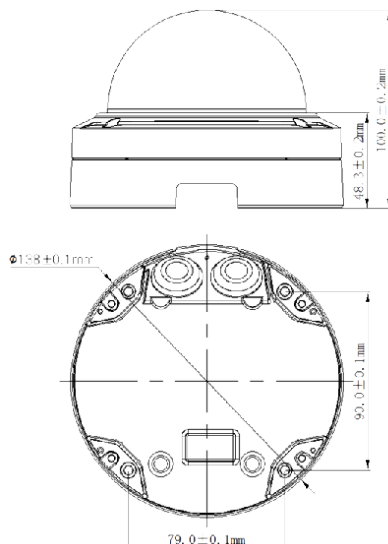


Specification

Platform	High performance DSP; 512MB Flash; 1024MB DDR II RAM and Linux 2.6 Embedded O.S.
Image Device	1/2.8" 5MP Sony progressive scan CMOS sensor.
Audio	G.711 Ulaw audio encoding and decoding. Support two-way audio. Audio in/out gain adjustable 2Vp-p audio in; 30mw audio output with 600Ω imedance.
Network	IP4, IP6, HTTP, HTTPS, SSL, TCP, RTSP, UDP, SMTP, FTP, DHCP, DNS, DDNS, NTP, PPPoE, UPnP, Multicast, RTP, RTCP, SNTP, RTMP, ICMP, IGMP.
Interface	RJ-45; 10BASE-T/100 BASE-TX.
Compatible	Onvif Profile S compliant
IVA Functions	Object Counting, Unattended/Missing Object Detection, Audio Detection, Loitering Detection, Tripwire Detection, Smart Motion Detection, Color Cast Detection, Lose Focus Detection, Image Expose Detection, Video Loss Detection, Audio Detection, Tamper Detection.
Surge Protector	
Power	2KV@1.2/50 μS Common mode
Signal	6KV@102/700 μS Differential mode
Management	
Time	Manual Time Setting; Time Server, NTP support, DST Bias and Real Time Clock.
Event Trigger	Events triggered by IVA, sensor with configured schedule.
Event notification	Event notification via Pop up video, move PTZ camera preset, send email and trigger alarm output.
Update	Online Firmware update.
Browser	Internet Explorer 7.0 and above; Chrome, Safari, Firefox with Quick time Plug-In.
Video Setting	
Compress	H.265,H.264 HP/MP/BL, MJPEG encode, CBR/VBR mode
Frame Rate	15fps @5MP, 25fps @4MP, 30ps for the rest resolution; ; Frame and bit Rate djustable.
Bit Rate	16K - 32M Bits/sec. adjustable resolution, quality and Bitrate.
Backup	Import/Export parameters, Restore setup.
S/N Ratio	More than 50dB
WDR	≥ 120 dB; True WDR/DWDR/OFF Mode.
Illumination	Color: 0.01Lux/F1.2 ; B/W: 0.001/F1.2 Lux, 0 Lux IR on.

Resolution	Streaming 1: 2592x1944, 2592x1520, 2560x1440, 2048x1520, 1080P, 960P, 720P, 720x576, 640x480, 640x360, 352x288 Streaming 2: 720x576, 640x480, 640x360, 352x288 Streaming 3: 2592x1944, 2592x1520, 2560x1440, 2048x1520, 1080P, 960P, 720P, 720x576, 640x480, 640x360, 352x288
Control	Brightness, Contrast, Saturation, Sharpness, Hue, Exposure, Motion detection, Mirror, Corridor mode, Gamma Shutter, Privacy mask, Flicker less, 3D Noise reduction, Defog, IRIS, AWB, AGC, Backlight, WDR, ROI, ePTZ, Audio gain, Alarm in/out, IVS trigger, IRIS, Network Failed detect, SD card filed detect, FTP, Email, Power Frequency, IP Conflict, Illegal Access, Alarm triggered, Frame/Bit rate display.
Shutter	Slow shutter, Auto / Fixed: 1/1s~1/100,000s
White Balance	Auto/ Customize/ Incandescent/ Fluorescent/ Warm / Natural
Backlight	Off/ Highlight correction/ Backlight correction
Display Mode	16:9 / 4:3/ Full/ Original size modes.
Overlay	Text / Time Stamp; support more than OSD 80 characters, Front type, Front size, position & Color adjustable by user.
I/O Port	
Standard	Audio in x1; Audio out x1; DC power in, RJ-45, SD Card.
Option	Alarm in x2, Alarm out x1.
Security	Password Protection, User access log protection.
Lens & IR LED	
Lens	Vari Focal: f= 2.8-12mm/F1.4; 6-22mm/F1.4; 5-50mm/F1.4 Motorized: f= 2.8-12mm/F1.4 ; 2.8-12mm/F1.4; 5-50mm/F1.4 P-IRIS or DC-IRIS (Optional).
IR Cut	Built in removable IR-cut filter for day & night function
IR Illuminators	4 pieces VCSEL IR Illuminators effective up to 30 meters. Support Smart Auto/Off/Manual IR LED control.
Storage	
SD Card	Micro SD slot for SD/SDHC card storage; IVA trigger, Network failed start recording on SD card.
Backup	Backup/Restore to device configuration file to SD or HDD.
Housing	
Case	Aluminum housing with Waterproof criterion.
Dimensions	Ø138 mm x 100 mm (H) / 0.85Kg
Operation	
Power consumption	Maximum 3W; 9W when IR LED on. Support PoE IEEE 802.3af Class 3; DC12V/AC24 (Optional)
Temperature	-30° C ~ 55° C; Humidity 10% ~ 90% RH
Certificated	CE, FCC, RoHS, IP66, IK10

Diagram



Order Information

DM-5MIPA04-Fxxxx-F

F: Alarm in/Out, Audio in/Out

Vair-Focal: F0312: 2.8-12mm, F0622: 6-22mm

Motorized Lens: M0312: 2.8-12mm, M0312 (P): 2.8-12mm (P-iris)

Fixe Lens: F03: 2.8mm, F04: 3.6mm, F06: 6mm, F08: 8mm



Tel: 886-3-5103001 Fax: 886-3-5103002

Email: support@i-view.com.tw

Website: www.i-view.com.tw