



IVA Outdoor IR Speed Dome Network Camera

FDMO-2MIPA-33XIR

IVA | 33x Zoom | H.265 | WDR | 120M Smart IR | DIS | Dedog | POE+ | IK10 | IP66

Features

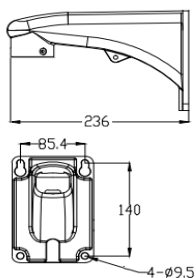
- Onvif compliant and RTSP protocol support.
- Advance H.265 ULCR compression save 60~80% bandwidth and storage size compare with H.264.
- Multi IVA (Intelligent Video Analysis) function for efficiency surveillance.
- Built-in POE+ power module, no need power cabling.
- 8 cruising tracks, each cruising track has 32 presets.
- 8 auto scan with user-defined boundaries position.
- Preset Speed 0.1~300° /Sec; Menu speed: it 0.1~180° /Sec. preset speed.
- 4 patterns tour, no less than 500 programmable per pattern.
- Built-in DIS (digital video stabilizer) engine to avoid image vibration.
- Support DNR, WDR, Defog, HLC, Anti-shake function.
- Search and playback the video clips of SD card from Web Browser.
- Auto alarm when SD card and Network failed, IP conflict, Illegal access.
- Support export/import/restore system configuration for backup purpose.
- Built-in sound detection when abnormal audio such as Gunshot, explosion, Baby Crying received will trigger event alarm.
- Removable IR-cut filter supports for Day & Night application used.
- Smart IR Illuminators adjust the IR LED light across the entire area to get a well-illuminated image, effective up to 120 meters.
- Vandal-proof IK10-rated, IP 66 Weather-proof rated Housing.
- True WDR Enhancement for Unparalleled Visibility in Extremely Bright and Dark Environments.
- H.265/H.264 /MJPEG multiple simultaneous streams.
- On-camera motion detection and privacy mask.
- Pixel Counter and FPS display on the video for image clarity measurement to get the optimum video quality and file size.
- ROI (Region of Interest) encoding is used to enhance the quality of images which are specified in advance.
- Adjustable auto-reboot schedule by day, weekly, once and disable.
- Wide operation temperature (-35° C ~ 60° C) rage.

Overview

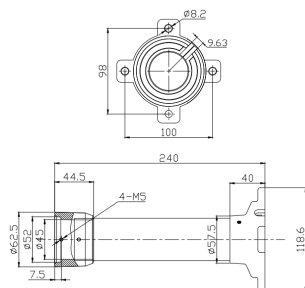
I-View FDMO-2MIPA-33XIR is an Intelligent Video Analysis true day/night speed dome network camera suitable for professional surveillance applications. The IP66-rated housing protects the camera body against rain and dust to ensure operation under extreme weather conditions. The FDMO-2MIPA-33XIR is especially suitable for monitoring wide open indoor/outdoor spaces such as airports, highways, parking lots, and shopping malls, where high-level reliability and precision are always required.

The FDMO-2MIPA-33XIR supports high-performance H.265/H.264/MJPEG compression technology and offers extra smooth video quality with resolution up to 30 fps @ 1080p. With sophisticated pan/tilt mechanism, the camera provides the fast, precise movement with continuous 360-degree pan and 90-degree tilt. Users can easily control the lens position via a mouse or a joystick to track the object of interest in and set up to 256 preset positions for patrolling. As with all I-View true day/night cameras, the FDMO-2MIPA-33XIR features are movable IR-cut filter, maintaining clear images 24 hours a day. The built-in SD/SDHC card slot offers a convenient and portable storage option to prevent data loss in case of network disconnection. With other advanced features such as Motion Detection, WDR, Anti-shark, Defog, 802.3at compliant PoE Plus, the FDMO-2MIPA-33XIR is the best choice for the most demanding outdoor surveillance applications.

Accessories



BWO-30S
Wall mount bracket



BCO-24S
Ceiling mount bracket



FSKY-200 USB
USB 3D Joystick



IP-020PH
Pole mount bracket

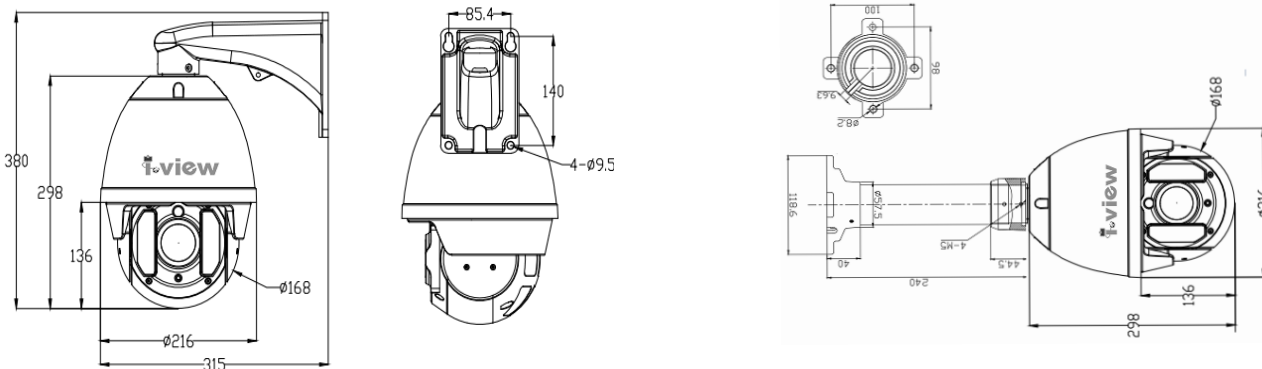


SP-029OW
Outer wall Corner
fix bracket

Specification

Camera		Bitrate	16K – 32M Bits/sec; CBR/VBR mode; adjustable resolution, quality and Bitrate
Image Sensor	1/2.8" SONY Sony CMOS sensor	Backlight	WDR/ Highlight correction/ Backlight correction
Min Illumination	Color: 0.02 Lux @ (F1.2, AGC ON); B/W: 0.002 Lux @ (F1.2, AGC ON); 0 Lux. when IR ON.	WDR	≥ 120 dB True WDR; Hi/Mid/Low/ Off Mode.
S/N Ratio	≥ 50dB	Shutter	Auto /Fixed: 1/1s~1/120,000s
Focal Length	33x Optical zoom(f=4.5 ~ 148.5 mm/ F1.6 to F4.4); 59.8 (Wide) to 2.34° (Tele end); 16x Digital zoom	Video	H.265, H.264 HP/MP/BL, MJPEG compression
Pan/Tilt		Audio	G.711u codec/64K bps; audio gain adjustable (1-100 steps)
Pan / Tilt Angle	360° continuous pan rotation/ 90° (Auto Flip)	IVS	Object Counting, Unattended/Missing Object Detection, Loitering Detection, Tripwire Detection, Smart Motion Detection, Color Cast Detection, Lose Focus Detection, Image Expose Detection, Video Loss Detection, Audio Detection, Tamper Detection.
Pan / Tilt Speed	0.1° ~180° (Menu)	Protocols	IP4, IP6, HTTP, HTTPS, SSL, TCP, RTSP, UDP, SMTP, FTP, DHCP, DNS, DDNS, NTP, PPPoE, UPnP, Multicast, RTP, RTCP, SNTp , RTMP,ICMP, IGMP.
Preset Speed	300° /S	Micro SD Card	SD/SDHC Slot, up to 128GB Edge recording (Optional)
Presets Number	256 presets; Accuracy +/-0.1°	Security	Password Protection, Access log; Multi-level user access.
Idle process	The dome will rotate back to Preset position/ Cruising/Tour/ Scan after a period of vacant time.	Configure	Import/Export parameters, Restore, Default setup
Auto Scan	8 auto scan tracks, user-defined left and right boundaries and scan speed	Overlay	Text / Time Stamp; support more than OSD 80 characters, Front type, Front size, position & Color adjustable by user.
Auto Cruising	8 cruising tracks, each cruising tracks has 32 preset positions, User-defined dwell time	Update	Online Firmware update
Pattern Tour	4 groups, each one with 500 programmable instructions per Pattern.	Time clock	Manual Time Setting; Time Server, NTP support, DST Bias and Real Time Clock.
Park Action	Preset / Tour / Pattern / Scan	Display Mode	16:9 / 4:3/ Full/ Original size modes.
PTZ Position	Display position on video ON/OFF	Camera Control	Pan/Tilt, Zoom, Focus, Click centering, Zoom by mouse dragging, Iris, preset calling and programming, auto mode
Alarm		Web Browser	Internet Explorer 7.0 and above; Chrome, Safari, Firefox with Quick time Plug-In. Up to 8 users access at a time.
Alarm In/Out	Dry contact in x2, Relay out x1 with configurable actions	Infrared	
Alarm Actions	Preset, Patrol, Pattern, FTP recording, E-mail notify, Alarm output, Audio alarm.	IR irradiation distance	8 pieces High power VCSEL IR illuminators, effective up to 120 meters; Adjustable view angle by optical zoom
Audio/Video		General	
Composite	1.0Vp-p / 75Ω video out, BNC port; NTSC/PAL (Selectable)	Power Supply	DC24V/1A VDC: Max. 24W when IR LED on, POE
Audio In/Out	2Vp-p Line input/ Impedance: 600Ω Line level	Operation	Temperature: -30° ~ +60° C; Humidity: 0~90%
Network		Protection Level	TVS 4,000V lightning and voltage transient protection.
Control	Brightness, Contrast, Saturation, Sharpness, Hue, Exposure, Video Occlusion detection, Defog, Motion detection, Mirror, Parameters Lock, Shutter, Privacy mask, Anti flicker, 2D/3D Noise reduction, Focus, DIS, IRIS, AES, AWB, AGC, BLC, HLC, WDR, ROI, Audio gain, Alarm in/out, IP address conflict, SD/HDD Full and failed detect, Import/Export Configuration, Anti-Shark, Interval Snapshot/Video schedule recording.	Mounting	Wall Mount/Ceiling mount optional
Frame rate	Streaming 1: Full HD, 1.3MP, 960P, 720P, D1, VGA, CIF. Streaming 2: D1, 640x480, 640x360, CIF Streaming 3: Full HD, 1.3MP, 960P, 720P, D1, VGA, CIF.	Size/ Weight	Φ216x380mm / 7Kg
Frame Rate	30fps@2MP (1920 x1080); Frame /Bit rate adjustable.	Certification	
		CE, FCC, UL, IK10, IP66, RoSH	

Diagram



Order Information

FDMO-2MIPA-33XIR

2-Mega Outdoor | 33x Zoom | IVS
Intelligent Video Analytics Speed Dome Network camera.



i-view
i-View Communication Inc.
Tel: 886-3-5103001 Fax: 886-3-5103002
Email: support@i-view.com.tw
Website: www.i-view.com.tw