



## 2MP Outdoor IR Speed Dome Network Camera

# FDMO-2MIPK-20XIR

2MP | 20x Zoom | H.265 | WDR | Smart IR | Auto Tracking | DIS | Dedog | POE+ | IP66

### Features

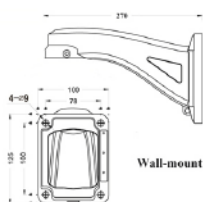
- Onvif compliant and RTSP protocol support.
- Advance H.265 ULCR compression saves 60~80% bandwidth and storage size compare with H.264.
- Intelligent object tracking for efficiency surveillance.
- Built-in POE+ power module, no need power cabling.
- 8 cruising tracks, each cruising track has 32 presets.
- 8 auto scan with user-defined boundaries position.
- Preset Speed 0.1~350° /Sec; Menu speed: it 0.1~120° /Sec.
- 4 patterns tour, no less than 500 programmable per pattern.
- Built-in DIS (digital video stabilizer) engine to avoid image vibration.
- Support DNR, WDR, Defog, HLC, Anti-shake and Auto tracking function.
- Run action (Preset/Tour/Pattern/Scan) schedule via user-defined.
- Built-in the video playback program, support search by timeline and event (such as Motion, Alarm trigger, Tamper, Network failed, IP conflict ) log file.
- Built-in View log function, search log by timeline, alarm, exception, and operation categories.
- Auto alarm when SD card and Network failed, IP conflict, Illegal access.
- Support export/import/restore system configuration for backup purposes.
- Support camera inside temperature and voltage display.
- Support manual defrosting (for outside window) and defogging (for inside window) functions..
- Removable IR-cut filter supports for Day & Night application used.
- Smart IR Illuminators adjust the IR LED light across the entire area to get a well-illuminated image, effective up to 100 meters.
- Vandal-proof IK10-rated, IP 66 Weather-proof rated Housing.
- True WDR Enhancement for Unparalleled Visibility in Extremely Bright and Dark Environments.
- H.265/H.264 multiple simultaneous streams.
- On-camera motion detection and privacy mask.
- Pixel Counter and FPS display on the video for image clarity measurement to get the optimum video quality and file size.
- ROI (Region of Interest) encoding is used to enhance the quality of images which are specified in advance.
- Wide operation temperature (-35° C ~ 55° C) rage.

### Overview

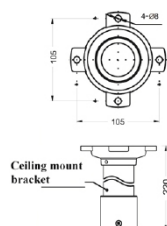
I-View FDMO-2MIPK-20XIR is an true day/night speed dome network camera suitable for professional surveillance applications. The IP66-rated housing protects the camera body against rain and dust to ensure operation under extreme weather conditions. The FDMO-2MIPK-20XIR is especially suitable for monitoring wide open indoor/outdoor spaces such as airports, highways, parking lots, and shopping malls, where high-level reliability and precision are always required.

The FDMO-2MIPK-20XIR supports high-performance H.265/H.264 compression technology and offers extra smooth video quality with resolution up to 30 fps @2MP resolution. With sophisticated pan/tilt mechanism, the camera provides the fast, precise movement with continuous 0 ~ 360-degree pan and -10 ~ 90-degree tilt. Users can easily control the lens position via a mouse or a joystick to track the object of interest in and set up to 256 preset positions for patrolling. As with all i-View true day/night cameras, the FDMO-2MIPK-20XIR features are movable IR-cut filter, maintaining clear images 24 hours a day. The built-in SD/SDHC card slot offers a convenient and portable storage option to prevent data loss in case of network disconnection. With other advanced features such as Motion Detection, WDR, Anti-shark, Defog, 802.3at compliant PoE Plus, the FDMO-2MIPK-20XIR is the best choice for the most demanding outdoor surveillance applications.

### Accessories



BWO-270S  
Wall mount bracket



BCO-10S  
Ceiling mount bracket



FSKY-200 USB  
USB 3D Joystick



IP-020PH  
Pole mount bracket



SP-029OW  
Outer wall Corner  
fix bracket

## Specification

Camera	
Image Sensor	1/2.8" Progressive 2MP CMOS sensor
Minimum Illumination	Color: 0.05 Lux /F1.6 AGC on ; B/W: 0.001 Lux/F1.6 AGC on, 0 Lux IR LED on
S/N Ratio	≥ 52dB
WDR	On / Off
Focal Length	20x Optical zoom(f=4.7~94mm// F1.6 to F5.0); 52.1° (Wide) to 2.94° (Tele end), 16x Digital zoom
Pan/Tilt	
Pan / Tilt Angle	0° ~360° pan scan range; -10° ~90° (Auto filp) Tilt scan range
Pan / Tilt Speed	Pan: 0.01° ~120° /S, Tilt: 0..01° ~120° /S Accuracy +/-0.1°
Presets Number	256 Preset
Guard Location	The camera will rotate back to preset position/Auto Scan/ Auto Cruising/Pattern Tour / off (define by user) after a period of vacant time.
Auto Scan	8 auto scan tracks, user-defined left, and right boundaries and scan speed
Auto Cruising	8 cruising tracks, each cruising tracks has 16 preset positions, User-defined dwell time
Pattern Tour	4 groups, each one with 500 programmable instructions
Schedule setup	Runnng Scan, Cruising, Pattern Tour via user define schedule.
Infrared	
IR irradiation distance	8 pieces VCSEL 850nm Illuminators, effective up to 100 Meters.
IR irradiation angle	Support Auto/ Manual/ Off mode. Smart IR to adjust the IR LED across the entire area to get a well-illuminated image.
Alarm	
Event Trigger	Events triggered by Temper alarm, Motion detection, Alarm input, IP conflict, Network failed, SD card error/full.
Notification	Video recording, Alarm output, Sound alarm, Snapshot send out via email, FTP or save into SD card.
Audio	
Input / Output	2-way audio, Line & Mic in: 2Vp-p / Impedance: 600Ω
Audio Control	0 (Mute)~100 level adjustable, support 3D noise reduce filter.
Codec:	G.711uLaw compression
Setting	
Shutter	Slow shutter, Auto / Fixed: 1/1s~1/10,000s
Exposure	Auto / Manual (0~100 adjustable)
Gain	Auto / Manual (0~100 adjustable)
Ehance	Video quality enhance; 2D/3DNR (0~100 adjustable)

Frame rate	50Hz - Main: 25 fps (1920x1080, 1280x960, 1280x720) Sub: 25 fps ( 352x288, 704x576) 60Hz - Main: 30 fps (1920x1080, 1280x960, 1280x720), Sub streaming: 30 fps (352x288, 704x480)
Bitrate	32K~10M Bits/sec; CBR/VBR mode; resolution, quality, FPS and Bitrate can be adjustable, H.265/H.264 MP/Baseline
Control	Control, Brightness, Contrast, Saturation, Sharpness, Hue, Exposure, Temper alarm, Motion detection, Mirror, Shutter, Privacy mask, 2D/3D Noise reduction, Remote zoom, AWB, AGC, Autofocus, WDR, ROI, ePTZ, Audio gain, Alarm in/ out, Network Failed, SD card filed detect, FTP, Email, Power
Protocols	TCP, UDP, HTTP, HTTPS, DHCP, DNS, DDNS, RTSP, PPPoE, UPnP, FTP, IPv4, IPv6,SMTP, NTP, SNMP, SSL, AES, NAT, SIP
Motion	Support multi-area setting, 1-100 sensitivity levels, Pre-recording (5-600 seconds), Post-recording (5-600 seconds )
Snapshot	Interval (1~86,400s) snapshot setup save to SD card, FTP or send via email.
Recording	Schedule video recording with 4 modes: Motion detection, Alarm trigger, Motion detection+Alarm trigger, Motion
Privacy mask	Off/ On, support 4 areas.
Configure	Import/Export parameters, Restore, Default setup
WDR	≥ 110 dB; WDR ON/OFF Mode.
Time Clock	Manual, NTP support and Real-Time Clock
Remote Users	Up to 8 simultaneous users
Micro SD Card	SD/SDHC Slot, up to 128GB Edge recording
Reboot	Manual / Schedule reboot
Security	User authentication, IP address filtering (Blacklist, Whitelist)
Display	Up to 60 characters and fone size adjustable; support Time
Web Browser	Internet Explorer; Chrome, Safari, Firefox with Plug-In
Update	Online Firmware update

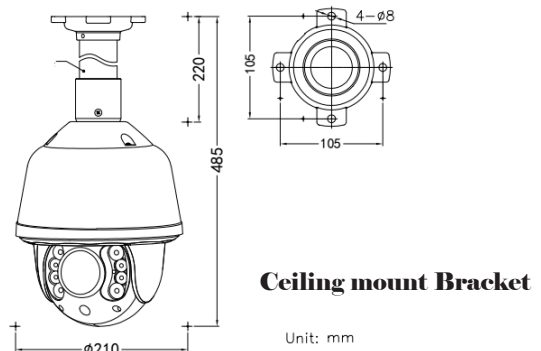
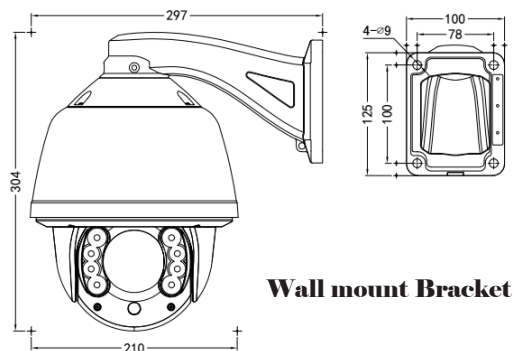
## General

Power Supply	DC12V/1A VDC: Max. 38W when IR LED & Fan on, POE+
Operation	Temperature: -35° ~ +55° C; Humidity: 0~90%
Protection Level	TVS 3KV lightning and voltage transient protection.
I/O	Audio in/out, Alarm in/out, Video out, Surge cable
Size/ Weight	Φ210x304mm / 5.6Kg (Without bracket)

## Certification

CE, FCC, IK10, IP66, RoSH

## Diagram



## Order Information

### FDMO-2MIPK-20XIR

2-Mega Outdoor | 20x Zoom | IVS  
Outdoor Speed Dome Network camera.



Tel: 886-3-5103001 Fax: 886-3-5103002  
Email: support@i-view.com.tw  
Website: www.i-view.com.tw

