

Face Recognition Speed Dome Network

FDMO-2MIPR-30XIR



Enhance IVA | Face Recognition | Object Counting | Auto Tracking | 30x Zoom | 120m IR | DIS | Dedog | H.265

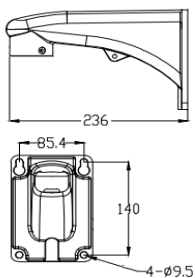
Features

- Onvif compliant and RTSP protocol support.
- Advance H.265 ULCR compression saves 60~80% bandwidth and storage size compared with H.264.
- Autonomous depth learning core algorithm of Enhanced Intelligent Video Analysis) and face recognition function for efficiency surveillance.
- Face capture accuracy $\geq 99\%$, which supports quality image score filtering and removing duplication faces, as well as the glasses, hair occlusion, and the slight backlight has no effect on the result of face recognition.
- Classify and count objects such as people and vehicles.
- Auto sound alarm output via the local speaker when the event triggers even though there is no NVR connection.
- Eight cruising tracks (8 presets per cruising track, eight auto-scans (User-defined boundaries position, four patterns tour (500 programmable instructions/pattern).
- Preset Speed up to 300°/S and Menu speed can adjust the speed range is 0.1~240°/S.
- Smart IR Illuminators adjust the IR LED light across the entire area to get a well-illuminated image, effective up to 120 meters.
- Built-in DIS (digital video stabilizer) engine to avoid image vibration.
- Support DNR, WDR, Defog, HLC, Anti-shake function.
- Quick Zoom® simple Zoom and Auto-Focus adjustment remotely.
- Search and playback the video clips of SD card from Web Browser.
- Auto alarm when SD card and Network failed, IP conflict, Illegal access.
- Support export/import/restore system configuration for backup purposes.
- Removable IR-cut filter supports for Day & Night application used.
- Vandal-proof IK10-rated, IP 66 Weather-proof rated Housing.
- True WDR Enhancement for Unparalleled Visibility in Extremely Bright and Dark Environments.
- On-camera motion detection and privacy mask.
- Pixel Counter and FPS display on the video for image clarity measurement to get the optimum video quality and file size.
- ROI (Region of Interest) encoding uses to enhance the quality of images specified in advance when transmitting video.
- Adjustable auto-reboot schedule by day, weekly, once, and disable.
- Wide operation temperature (-35° C ~ 60° C) rage.

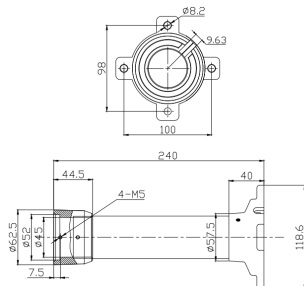
Overview

i-View has designed the FDMO-2MIPR-30XIR infrared speed dome network camera with high-performance edge analysis capability, which dramatically improves video analysis accuracy. This algorithm is called "EVA" (Enhanced Video Analysis), based on the EVA provided functions that can create scalable, intelligent video security solutions for your customers to meet various application scenarios' current and future needs. Simultaneously, the camera is also built in the QkDefine® facial recognition engine, instantly identifying known threats. Facial recognition perfectly complements your existing surveillance system, enhancing security and customer experience in real-time. The FDMO-2MIPR-30XIR supports high-performance H.265/H.264 compression technology and offers extra smooth video quality with resolution up to 30 fps @ 1080p. With a sophisticated pan/tilt mechanism, the camera provides the fast, precise movement with a continuous 360-degree pan and 90-degree tilt. Users can easily control the lens position via a mouse or a joystick to track the object of interest and set up 256 preset positions for patrolling. As with all i-View proper day/night cameras, the FDMO-2MIPR-30XIR is built in a movable IR-cut filter, maintaining clear images 24 hours a day. The built-in SD/SDHC card slot offers a convenient and portable storage option to prevent data loss in network disconnection. With other features such as Auto tracking, intelligent motion detection, WDR, Anti-shock, Defog, 802.3at compliant PoE, and wide temperature, the FDMO-2MIPR-30XIR is the best choice for most demanding outdoor surveillance applications.

Accessories



BWO-30S
Wall mount bracket



BCO-24S
Ceiling mount bracket



FSKY-200 USB
USB 3D Joystick



IP-020PH
Pole mount bracket



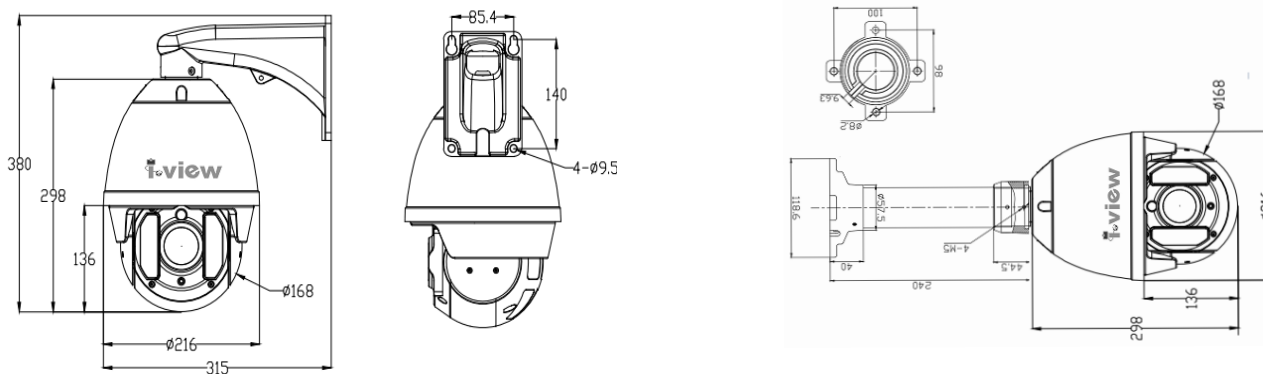
SP-029OW
Outer wall Corner
fix bracket

Specification

Camera	
Image Sensor	1/2.8" SONY Sony progressive CMOS sensor
Min Illumination	Color: 0.02 Lux @ (F1.2, AGC ON); B/W: 0.002 Lux @ (F1.2, AGC ON); 0 Lux. when IR ON.
S/N Ratio	≥ 50dB
Focal Length	30x Optical zoom(f=5.2 ~ 156 mm/ F1.3 to F4.8); 65.4" (Wide) to 2.48" (Tele end); 16x Digital zoom
Pan/Tilt	
Pan / Tilt Angle	360° continuous pan rotation/ 90° (Auto Flip)
Speed	Pan / Tilt: 0.1° ~240° (Menu) 300° /S (Preset Speed)
Presets Number	256 presets; Accuracy +/-0.1°
Idle process	The dome will rotate back to Preset position/ Cruising/Tour/ Scan after a period of vacant time.
Scan Modes	8 auto scan tracks & 8 cruising tracks (user-defined boundaries, presets, scan speed and dwell time)
Pattern Tour	4 groups, 500 programmable instructions per pattern.
Schedule Action	User-defined the active Preset/Cruising/Tour/Scan schedule
Face Recognition	
Database	Support 10000 Faces, 20 face targets detect simultaneously.
Comparison	Allowing compared the photos with the face database manually.
Recognize Face	Distance between pupils ≥ 60 pixels; face ≥ 150 pixels.
Attitude angle	Capture angle: ≤25° of pitch ≤60° angle from left to right.
Accuracy	Capture: ≥98% Recognize: ≥95% Recognize speed: ≤200ms
Face Filter	Support duplicate Face and detection quality filter.
Detection Area	Adjustable, define by user.
Alarm	
In/Out	Alarm input x2; Relay output x 1
Alarm Actions	Preset, Patrol, Pattern, Send to FTP, Recording, Snapshot, E-mail notify, Alarm output, Audio alarm.
Audio	
Audio	G.711 Ulaw audio encoding and decoding. Line/Microphone audio in; Audio output, Two-way audio, Audio in/out gain adjustable (Mute~100 levels)
Control	
IVS	Object Counting, Face Recognition, Object Classification & Counting, Unattended/Missing Object, Loitering, Tripwire Detection, Reverse Direction, Leaving Work Area, Helmet, Detection, Color Cast, Lose Focus, Image Expose Detection, Video Loss Detection, Audio Detection, Tamper Detection.

Control	Brightness, Contrast, Saturation, Sharpness, Hue, Exposure, Video Occlusion detection, Defog, Motion detection, Mirror, Parameters Lock, Shutter, Privacy mask, Anti flicker, 3D Noise reduction, Auto Focus, DIS, IRIS, AES, AWB, AGC, BLC, HLC, WDR, ROI, Audio gain, Alarm in/out, IP address conflict, SD/HDD Full and failed detect, Import/Export Configuration, Anti-Shark, Interval Snapshot/Video schedule recording.
Frame rate	Streaming 1: Insert 4MP mode Full HD Streaming 2: D1, 640x480, 640x360 Streaming 3: Full HD
Compress	H.265, H.264 encoder, 16K-32 M Bits/s (CBR/VBR); 30fps@ full HD/Insert 4MP mode, Adjustable resolution, quality and bitrate
Backlight	WDR/ Highlight correction/ Backlight correction
WDR	≥ 120 dB True WDR/DWDR/Off Mode.
Shutter	Auto /Fixed: 1/5s~1/120,000s
Protocols	IP4,IP6,HTTP,HTTPS,SSL,TCP,ICMP,RTP,UDP,IGMP, RTCP,SMTP,DHCP,DNS,FTP,NTP,SNMP,SNTP,DDNS,RTSP ,RTMP,UPnP,PPPoE,Multicast.
Micro SD Card	SD/SDHC Slot, up to 128GB Edge recording (Optional)
Security	Password Protection, Access log; Multi-level user access.
Configure	Import/Export parameters, Restore, Default setup
Overlay	Text / Time Stamp; support more than OSD 80 characters, Front type, front, size, position & Color adjustable by user.
Update	Online Firmware update
Time clock	ManualSetting; NTP support, DST Bias and Real Time Clock.
Display Mode	16:9 / 4:3/ Full/ Original size modes.
Camera Control	Pan/Tilt, Zoom, Focus, Click centering, Zoom by mouse dragging, Iris, preset calling and programming, auto mode
Web Browser	IE, Edge, Chrome, Safari, Firefox.
Infrared	
IR irradiation distance	8 pieces High power VCSEL IR Illuminators, effective up to 120 meters; Adjustable view angle by optical zoom
General	
Power Supply	DC24V/1A VDC: Max. 24W when IR LED on, POE
Operation	Temperature: -30° ~ +60° C; Humidity: 0~90%
Protection Level	TVS 4,000V lightning and voltage transient protection.
Mounting	Wall Mount/Ceiling mount optional
Size/ Weight	Φ216x380mm / 7Kg
Certification	
	CE, FCC, UL, IK10, IP66, RoSH

Diagram



Order Information

FDMO-2MIPR-30XIR

2-Mega Outdoor | 30x Zoom | IVS
Face Recognition Speed Dome Network camera.



i-view

i-View Communication Inc.

Tel: 886-3-5103001 Fax: 886-3-5103002

Email: support@i-view.com.tw

Website: www.i-view.com.tw