



## Start Light IR Outdoor Panoramic Network Camera

# FE-12MIPS06-F01-W

H.265 | True WDR | 12MP@20fps | 360° /180° View | 20 Meters IR | IK10 | IP 66

### Overview

The FE-12MIPS06-F01-W is the latest fisheye fixed dome network camera, featuring a detailed 12-Megapixel resolution sensor with superb image quality. Equipped with a fisheye lens for 180° panoramic view (wall mount) or 360° surround view (ceiling/floor/table mount) that allows you to monitor all angles of a location using just one camera without blind spots, the camera is a fisheye camera able to provide coverage of wide, open areas, such as bank, airports, shopping malls, parking lots, retail stores, offices and more. The FE-12MIPS06-F01-W, true day/night camera, features a removable IR-cut filter, maintaining clear images 24 hours a day, with built-in IR LEDs enabling the camera to provide uniformly 360° surround illumination for clear viewing up to 20 meters, even in completely dark environments. The FE-12MIPS06-F01-W offers various display layouts, including original surround view, panoramic view, and regional view for various mounting applications. With the cutting-edge image processing capabilities, hemispherical images captured from the fisheye camera can be converted into a conventional rectilinear projection for viewing and analysis. In addition, the users can utilize the ePTZ function to easily zoom in and focus on a region of interest. As with the FE-12MIPS06-F01-W features a removable IR-cut filter, maintaining clear video at day/night time. Support the waterproof ip 66 and vandal-proof IK10-rated housing provides robust protection from vandalism and Surge protection function for extreme weather conditions outdoor application. Together with 802.3af compliant PoE, Micro SD/SDHC for onboard storage, the FE-12MIPS06-F01-W is the best choice for constructing a robust surveillance system with the greatest coverage possible.

### Features

- Onvif compliant and CGI, RTSP protocol support.
- H.265 compression saves bandwidth and storage size.
- Up to 30 fps @8-Megapixel | 20 fps @12-Megapixel video resolution.
- Allow multiple users to access different angles simultaneously.
- Allow adjusting view angle for wall mount application.
- 180° Panoramic View & 360° Surround View.
- Auto recording video into SD card when Network failed.
- Video and interval snapshot schedule recording on SD card or FTP server.
- Removable IR-cut filter for Day & Night function.
- Quick Zoom® simple Zoom and Auto-Focus adjustment remotely.
- Built-in 6 pieces VCSEL IR Illuminators, effective up to 20 meters.
- Vandal-proof IK10-rated and IP 66 Weather-proof Housing.
- True WDR Enhancement for Unparalleled Visibility in Extremely Bright and Dark Environments.
- Smart IR to adjust the IR LED light across the entire area to get a well-illuminated image.
- H.265/H.264 /MJPEG multiple simultaneous streams.
- On-camera motion detection and privacy mask.
- Pixel Counter and FPS display on the video for image clarity measurement to get the optimum video quality and file size.
- Virtual ePTZ and POP (Picture of Picture) display for efficiency surveillance.

### Accessories



EPoC-131Kit  
Eth/PoE Extender



BWO-140S  
Wall Mount Bracket



IP-020TB  
20cm Extension tube



BCO-84S  
Ceiling Mount Bracket



IP-012JB  
Waterproof Jun. Box



IP-010PH  
Pole mount bracket

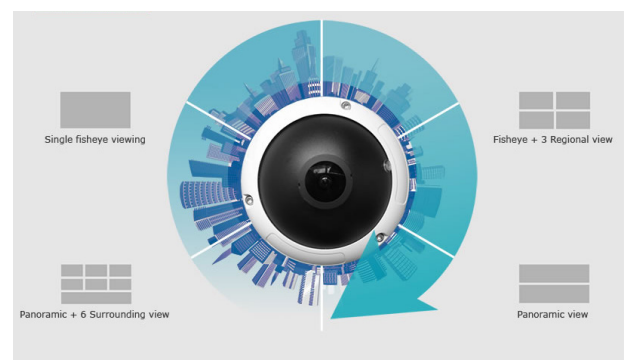


IP-0910W  
Outer Wall Bracket



IP-0191W  
Inner Wall Bracket

### Video display modes

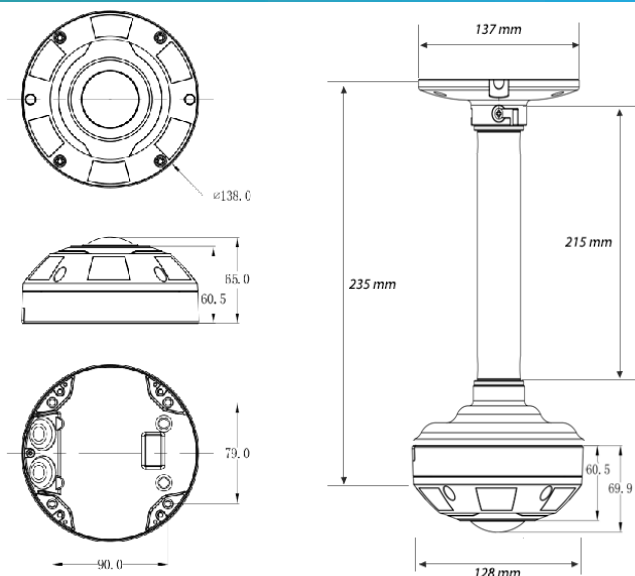


## Specification

Platform	High performance DSP; 1024MB Flash; 2048MB DDR II RAM and Linux 2.6 Embedded O.S.
Image Device	1/1.7" 12MP Sony progressive scan CMOS sensor.
Audio	G.711 Ulaw & G.711 Alaw audio encoding and decoding. External microphone input and speaker output. 2Vp-p audio in; 30mw audio output with 600Ω impedance.
Network	IPV4, IPV6, DNS, DDNS, DHCP, PPPoP, HTTP, HTTPs, RTSP, UDP, TCP, SSH, QoS, UPnP, SMTP, SSL, STARTTLS, SNMP ONVIF, CGI, Bonjour, 802.1x, Multicast, RTMP, RTP, FTP.
Interface	RJ-45; 10BASE-T/100 BASE-TX.
Compatible	Onvif compliant
Surge Protector	
Power	2KV@1.2/50 μS Common mode
Signal	6KV@102/700 μS Differential mode
Security	Password Protection, User access log; IP address filtering, and Mac filtering, Multi-level user access with password protection.
Management	
Time	Manual Time Setting; Time Server, NTP support, DST offset and Real Time Clock.
Event management	Events triggered by Motion detection or sensor trigger with configured schedule.
Event notification	Event notification via Pop up video, send snapshot via email and trigger alarm output.
Update	Online Firmware update.
Browser	Internet Explorer 7.0 and above; Chrome, Safari, Firefox with Quick time Plug-In.
Video Setting	
Compress	H.265/MP, H.264 HP/MP/BL, MJPEG compression.
Frame Rate	30fps @8MP   20fps @ 12MP for H.264 mode
Bit Rate	200K ~ 20M Bits/sec. CBR/VBR mode; adjustable resolution, quality and Bitrate.
S/N Ratio	More than 50dB
WDR	≥ 120 dB; True WDR; On/ Hi / Low modes

Resolution	Streaming 1: 4000x3000, 3000x3000, 3840x2190, 2592x1944, 2592x1520, 2560x1440, 2048x1536, 2304x1296, 1920x1080, 1280x1024, 1280x960, 1280x720. Streaming 2: 1280x720, 800x600, 704x480, 640x480, 640x360, 352x240, 352x180, 352x176.
Control	Brightness, Contrast, Saturation, Sharpness, Exposure, Motion detection, Mirror, Corridor mode, Shutter, Privacy mask, Flicker less, 3D Noise reduction, Defog, IRIS, AES, AWB, AGC, BLC, WDR, ROI, Audio gain, Alarm in/out. Video recording by scheduling, Network, CPU usage display, Interval schedule Snapshot (1 sec~1 week).
AWB	Auto/ Cloudy/ Sunny/ Fluorescent / Tungsten
Shutter	Auto / Fixed: 1/5s~1/50,000s
Display Mode	<b>360° mode:</b> 1/ 4-split PTZ view, Panoramic + 1/2/4/6 PTZ view, 360° /180° View. <b>180° mode:</b> Panoramic View+ 2 PTZ screen, 180° Panoramic View+3 PTZ screen, 4-split PTZ screen, Source image +3 PTZ screen. 4-split PTZ view, Panoramic + 3/4 PTZ view, Source image +3 PTZ view
Illumination	Color: 0.5 Lux/F1.2; B/W: 0.01 Lux/F1.2; 0 Lux IR LED on.
Overlay	Text / Time Stamp; support more than OSD 60 characters, Front size, position & Front transparency adjustable by user.
I/O Port	
Standard	Audio in x1; Audio out x1; DC power in, RJ-45, Reset.
Option	Alarm in/Out, Video Out, SD Card, Smart LED.
Lens & IR LED	
Lens	f=1.47mm/ F2.4; View angle: V: 185° / H: 185° / D: 185°
IR Cut	Built in removable IR-cut filter for day & night function
IR Illuminators	6 pieces VCSEL IR Illuminators effective up to 20 meters.
Storage	Micro SD slot for SD/SDHC card storage; Support Pre-recording and Post recording; Alarm trigger, Motion trigger, Network failed and NVR stop recording start recording on SD card/FTP Server. Backup/Restore to device configuration file to FTP/SMTP sever.
Housing	
Case	Aluminium Vandal-proof and Weather-proof housing
Size/Weight	Ø138mm x 65 mm (H) / 0.75Kg.
Operation	
Power consumption	Maximum 3W; 8W when IR LED on. Support PoE IEEE 802.3af Class 3; DC12V/AC24 (Optional)
Temperature	-30° C ~ 55° C; Humidity 20% ~ 80% RH
Certificated	CE, FCC, RoHS, IP66, IK10

## Diagram



## Order Information

**FE-6MIPS06-F01-W**



Tel: 886-3-5103001 Fax: 886-3-5103002  
Email: support@i-view.com.tw  
Website: www.i-view.com.tw