



## IVA Waterproof IR Bullet Network Camera

# IR-2MIPA08

IVA | H.265 | True WDR | 35m IR LED | Motorized Lens | Tampering alarm | Smart LED | IK10

### Overview

i-View has designed the IR-2MIPA08 IVA(Intelligent Video Analytics) IR Bullet Network camera with the processing power needed to support high-performance edge analytics. It makes it possible to create scalable, intelligent video solutions for various video surveillance systems with varying requirements. The video analytics include several integrated video analytics that runs in the camera. One of them is Cross Line Detection, a trip-wire application that detects objects crossing a virtual line, making it possible to detect intrusions automatically and trigger alarms accordingly.

i-View IR-2MIPA08 also features a detailed 2-Megapixel resolution with H.265 high-efficiency compression technology, offering a 30 fps frame rate and True WDR enhancement for unparalleled visibility in extremely bright and dark environments, as well as for installers to adjust the focus of megapixel network camera properly can be difficult due to the image detail, the Smart Focus function makes installation and adjustment easier. The weather resistance features are brilliant for indoor and outdoor surveillance, shock detection, impact resistance with IK10, waterproof IP66 rating, and the ability to withstand temperatures from -30° C to 60° C; it delivers impressive results outdoors and in harsh environments.

### Features

- Onvif compliant and RTSP protocol support.
- Advanced H.265 ULCR compression saves 60~80% bandwidth and storage size compared with H.264.
- Support multi IVS (Intelligent Video Analysis) function.
- Search and playback the video clips of SD card from Web Browser.
- Auto alarm when SD card and Network failed, IP conflict, Illegal access
- Support export/import/restore system configuration for backup purposes.
- Built-in sound detection when abnormal audio such as Gunshot, explosion, or Baby Crying received will trigger an event alarm.
- Removable IR-cut filter supports for Day & Night application used.
- Quick Zoom® simple Zoom and Auto-Focus adjustment remotely.
- Smart IR Illuminators adjust the IR LED light across the entire area to get a well-illuminated image, effective up to 35 meters.
- Vandal-proof IK10-rated, IP 66 Weather-proof rated Housing.
- True WDR Enhancement for Unparalleled Visibility in Extremely Bright and Dark Environments.
- H.265/H.264 /MJPEG multiple simultaneous streams.
- On-camera motion detection and privacy mask.
- Pixel Counter and FPS display on the video for image clarity measurement to get the optimum video quality and file size.
- Virtual ePTZ for efficiency surveillance.
- ROI (Region of Interest) encoding is used to enhance the quality of images which specify in advance.
- Adjustable auto reboot schedule by day, weekly, once, and disabled.
- Wide operation temperature (-30° C ~ 60° C) rage.

### Accessories



EPOC-131Kit  
Eth/PoE Extender



IP-0910W  
Outer Wall Bracket



IP-010PH  
Pole mount bracket

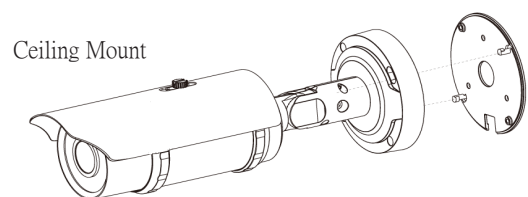


IP-012JB  
Waterproof Jun. Box

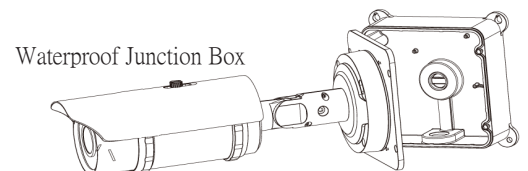


IP-0191W  
Inner Wall Bracket

### Bracket Assembly



Ceiling Mount

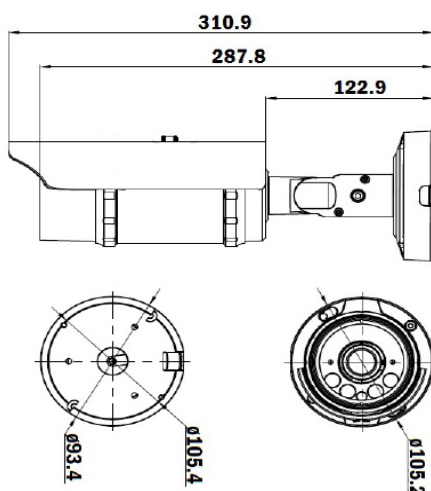


Waterproof Junction Box

## Specification

<b>Platform</b>	High-performance DSP; 512MB Flash; 1024MB DDR II RAM and Linux 2.6 Embedded O.S.	<b>Resolution</b>	Streaming 1: 1920x1080, 1280x960, 1280x720, 720x576, 640x480, 640x360, 352x288 Streaming 2: 720x576, 640x480, 640x360, 352x288 Streaming 3: 1920x1080, 1280x960, 1280x720, 720x576, 640x480, 640x360, 352x288
<b>Image Device</b>	1/2.8" 2MP Sony progressive scan CMOS sensor.	<b>Control</b>	Brightness, Contrast, Saturation, Sharpness, Hue, Exposure, Motion detection, Mirror, Corridor mode, Gamma Shutter, Privacy mask, Flicker-less, 3D Noise reduction, Defog, IRIS, AWB, AGC, Backlight, WDR, ROI, ePTZ, Audio gain, Alarm in/out, IVS trigger, IRIS, Network Failed to detect, SD card filed detect, FTP, Email, Power Frequency, IP Conflict, Illegal Access, Alarm triggered, Frame/Bit rate display.
<b>Audio</b>	G.711 Ulaw audio encoding and decoding. Support two-way audio. Audio in/out gain adjustable 2Vp-p audio in; 30mw audio output with 600Ω imedance.	<b>Shutter</b>	Slow shutter, Auto / Fixed: 1/1s~1/100,000s
<b>Network</b>	Protocol IP4, IP6, HTTP, HTTPS, SSL, TCP, RTSP, UDP, SMTP, FTP, DHCP, DNS, DDNS, NTP, PPPoE, UPnP, Multicast, RTP, RTCP, SNTP, RTMP, ICMP, IGMP.	<b>White Balance</b>	Auto/ Customize/ Incandescent/ Fluorescent/ Warm / Natural
<b>Interface</b>	RJ-45; 10BASE-T/100 BASE-TX.	<b>Backlight</b>	Off/ Highlight correction/ Backlight correction
<b>Compatible</b>	Onvif Profile S compliant	<b>Display Mode</b>	16:9 / 4:3/ Full/ Original size modes.
<b>IVA Functions</b>	Object Counting, Unattended/Missing Object Detection, Loitering Detection, Tripwire Detection, Smart Motion Detection, Color Cast Detection, Lose Focus Detection, Image Expose Detection, Video Loss Detection, Audio Detection, and Tamper Detection.	<b>Overlay</b>	Text / Time Stamp; support more than OSD 80 characters, Front type, Front size, position & Color adjustable by user.
<b>Surge Protector</b>	Power 2KV@1.2/50 μS Common mode Signal 6KV@102/700 μS Differential mode	<b>I/O Port</b>	Standard Audio in x1; Audio out x1; DC power in, RJ-45, SD Card. Option Alarm in x2, Alarm out x1.
<b>Management</b>	Time Manual Time Setting; Time Server, NTP support, DST Bias, and Real Time Clock. Event Trigger Tiggered by IVA, the sensor with the configured schedule. Event notification Event notification via Pop up video, move PTZ camera preset, send an email, and trigger alarm output. Update Online Firmware update.	<b>Security</b>	Password Protection, User access log protection.
<b>Browser</b>	Internet Explorer 9.0 and above; Chrome, Safari, Firefox with Quick Time Plug-In.	<b>Lens &amp; IR LED</b>	Lens Vari Focal: f= 2.7-13.5m/F1.4; 6-22mm/F1.4; 5-50mm/F1.4 Motorized: f= 2.7-13.5mm/F1.4 ; 2.8-12mm/F1.4; 5-50mm/ F1.4 P-IRIS or DC-IRIS (Optional).
<b>Video Setting</b>	Compress H.265,H.264 HP/MP/BL, MJPEG encode, CBR/VBR mode Frame Rate 30ps for the rest resolution; Frame and bit Rate are adjustable. Bit Rate 6K - 32M Bits/sec. Adjustable resolution, quality, and Bitrate. Backup Import/Export parameters, Restore setup. S/N Ratio More than 50dB WDR ≥ 100 dB; True WDR/DWDR/OFF Mode. Illumination Color: 0.05Lux/F1.2 ; B/W: 0.01/F1.2 Lux, 0 Lux IR on.	<b>IR Cut</b>	Built-in removable IR-cut filter for day & night function
		<b>IR Illuminators</b>	4 pieces VCSEL IR Illuminators adequate up to 35 meters. Support Smart Auto/Off/Manual IR LED control.
		<b>Storage</b>	SD Card Micro SD slot for SD/SDHC card storage; IVA trigger, Network failed to start recording on SD card. Backup Backup/Restore the device configuration file to SD or HDD.
		<b>Housing</b>	Case Aluminum; adjust angle 180° (Pan)/180° (Tilt)/360° (Rotate) Dimensions 105 mm x 122 mm x 310 mm / 1.1Kg.
		<b>Operation</b>	Power consumption Maximum 3W; 9W when IR LED on. Support PoE IEEE 802.3af Class 3; DC12V/AC24 (Optional) Temperature -30° C ~ 60° C; Humidity 20% ~ 80% RH
		<b>Certificated</b>	CE, FCC, UL, RoHS, IP66, IK10

## Diagram



## Order Information

### IR-2MIPA08-Fxxx-F

F: Alarm in/Out

Vari-Focal: F0314: 2.7-13.5mm, F0622: 6-22mm, F0550: 5-50mm  
Motorized: M0314: 2.7-13.5mm, F0622: 6-22mm, M0550: 5-50mm



**i-view**  
i-View Communication Inc.  
Tel: 886-3-5103001 Fax: 886-3-5103002  
Email: support@i-view.com.tw  
Website: www.i-view.com.tw

