



IVA Waterproof IR Bullet Network Camera

IR-2MIP⁺M03

IVA | H.265 | WDR | 2MP@30fps | Smart IR | IK10 | IP 66

Overview

i-View has designed the IR-2MIPM⁺03 IVA(Intelligent Video Analytics) IR Bullet Network camera with the processing power needed to support high-performance edge analytics. This makes it possible to create scalable intelligent video solutions for a wide range of video surveillance systems with varying requirements. The video analytics include several integrated video analytics that runs in the camera such as Cross Line Detection is a trip-wire application that detects objects crossing a virtual line, making it possible to automatically detect intrusions and to trigger alarms accordingly.

i-View IR-2MIPM⁺03 also featuring a detailed 2-Megapixel resolution with H.265 high-efficiency compression technology, offering 30 fps frame rate, which allows the user to fully utilize the high definition video. The ePTZ function lets users zoom in and focus on a region of interest (ROI) in the camera view with only a few clicks of a mouse, the camera comes with a removable IR-cut filter and 30 meters IR LEDs to provide great clarity and contrast 24 hours a day, and the IP66 and IK10 rating provide a robust solution suitable for demanding outdoor environments.

Features

- Onvif compliant and RTSP protocol support.
- Advance H.265 ULCR compression save 60~80% bandwidth and storage size compare with H.264.
- Support multi IVS (Intelligent Video Analysis) function.
- Search and playback the video clips of HDD from Web Browser.
- Auto alarm when Network failed, IP conflict, Illegal access.
- Support export/import/restore system configuration for backup purpose.
- Removable IR-cut filter supports for Day & Night application used.
- Smart IR Illuminators adjust the IR LED light across the entire area to get a well illuminated image, effective up to 30 meters.
- Vandal-proof IK10-rated, IP 66 Weather-proof rated Housing.
- Digital WDR Enhancement for Unparalleled Visibility in Extremely Bright and Dark Environments.
- H.265/H.264 /MJPEG multiple simultaneous streams.
- On-camera motion detection and privacy mask.
- Pixel Counter and FPS display on the video for image clarity measurement to get the optimum video quality and file size.
- Virtual ePTZ for efficiency surveillance.
- Adjustable auto reboot schedule by day, weekly, once and disable.
- Wide operation temperature (-25° C ~ 55° C) range.

Accessories



EPoC-131Kit
Eth/PoE Extender



IP-0910W
Outer Wall Bracket

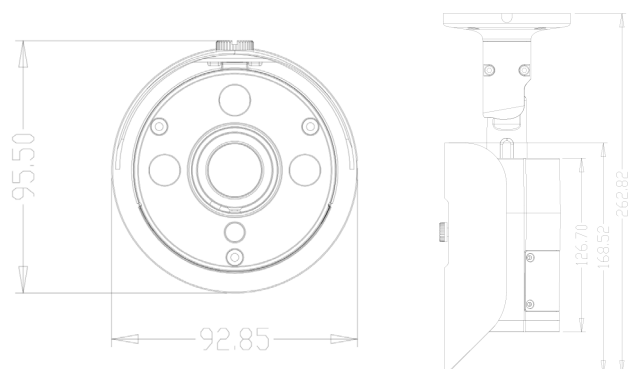


IP-010PH
Pole mount bracket



IP-0191W
Inner Wall Bracket

Bracket Assembly



Specification

Platform	High performance DSP; 512MB Flash; 1024MB DDR II RAM and Linux 2.6 Embedded O.S.
Image Device	1/2.8" 2MP Sony progressive scan CMOS sensor.
Audio (Optional)	G.711 Ulaw audio encoding and decoding. Support two-way audio. Audio in/out gain adjustable 2Vp-p audio in; 30mw audio output with 600Ω imedance.
Network	IP4, IP6, HTTP, HTTPS, SSL, TCP, RTSP, UDP, SMTP, FTP, DHCP, DNS, DDNS, NTP, PPPoE, UPnP, Multicast, RTP, RTCP, SNTP, RTMP, ICMP, IGMP.
Interface	RJ-45; 10BASE-T/100 BASE-TX.
Compatible	Onvif Profile S compliant
IVA Functions	Object Counting, Unattended/Missing Object Detection, Loitering Detection, Tripwire Detection. Motion Detection, Tamper Detection.
Surge Protector	Power 2KV@1.2/50 μS Common mode Signal 6KV@102/700 μS Differential mode
Management	Time Manual Time Setting; Time Server, NTP support, DST Bias and Real Time Clock. Event Trigger Events triggered by IVA, sensor with configured schedule. Event notification Event notification via Pop up video, send email and trigger. Update Online Firmware update.
Browser	Internet Explorer 7.0 and above; Chrome, Safari, Firefox with Quick time Plug-In.
Video Setting	Compress H.265,H.264 HP/MP/BL MJPEG encode, CBR/VBR mode Frame Rate 30fps for all resolution; Frame and bit Rate djustable. Bit Rate 16K - 8M Bits/sec. adjustable resolution, quality and Bitrate. Backup Import/Export parameters, Restore setup. S/N Ratio More than 50dB Illumination Color: 0.1Lux/F1.2 ; B/W: 0.05/F1.2 Lux, 0 Lux IR on.

Resolution	Streaming 1: 1920x1080, 1280x960, 1280x720, 704x576. Streaming 2: 704*576, 640x480, 640x360.
Control	Brightness, Contrast, Saturation, Sharpness, Hue, Motion detection, Mirror, Corridor mode, Shutter, Privacy mask, Flicker less, 3D Noise reduction, Defog, IRIS, AGC, WDR, ePTZ, Audio gain, IVS trigger, Network Failed detect, Email, Power Frequency, IP Conflict, Illegal Access, Frame/Bit rate display.
WDR	≥ 90 dB; DWDR/OFF Mode.
Shutter	Slow shutter, Auto / Fixed: 1/5s~1/10,000s
3DNR	Off/Low/Mid/Mid-High/High
AGC	Off/ Low/Mid/High
Display Mode	16:9 / 4:3/ Full/ Orignal size modes.
Overlay	Text / Time Stamp; support more than OSD 80 characters, Front type, Front size, position & Color adjustable by user.
I/O Port	Standard DC power in, RJ-45. Option Audio in x1; Audio out x1
Security	Password Protection, User access log protection.
Lens & IR LED	Lens Vari Focal: f= 2.8-12mm/F1.4; 6-22mm/F1.4; 5-50mm/F1.4 Fixe Lens: F03: 2.8mm, F04: 3.6mm, F06: 6mm, F08: 8mm
IR Cut	Built in removable IR-cut filter for day & night function
IR Illuminators	3 pieces VCSEL IR Illuminators effective up to 30 meters. Support Smart Auto/Off/Manual IR LED control.
Storage	Backup Backup/Restore to device configuration file to HDD.
Housing	Case Aluminum; adjust angle 180° (Pan)/180° (Tilt)/360° (Rotate)
Dimensions	92.9 x 95.5 x 262.8 mm / 0.9 Kg.
Operation	Power consumption Maximum 3W; 9W when IR LED on. Support PoE IEEE 802.3af Class 3; DC12V Temperature -30° C ~ 55° C; Humidity 20% ~ 80% RH
Certificated	CE, FCC, RoHS, IP66, IK10

Diagram



Order Information

IR-2MIPM⁺03-Fxxxx



Vari-Focal Lens: F0312: 2.8-12mm, F0622: 6-22mm

Fix Lens: F04: 3.6mm, F06: 6mm, F08: 8mm, F04: 3.6mm,



i-view

Tel: 886-3-5103001 Fax: 886-3-5103002

Email: support@i-view.com.tw

Website: www.i-view.com.tw