



Enhanced IVA Bullet Network Camera

IR-2MIPQ03

IVA | H.265 | True WDR | Motorized Lens | Statistical Report | Smart IR | Sound Alarm | IP66

Overview

i-View has designed the IR-2MIPQA03 IR Bullet Network camera with the processing power needed to support high-performance edge analytics, which has greatly improved the accuracy of video analysis, call name "EVA" (Enhanced Video Analytics). The result makes it possible to create scalable intelligent video solutions for a wide range of surveillance systems with varying requirements. The video analytics include several integrated video analytics that runs in the camera such as Cross Line Detection is a trip-wire application that detects objects crossing a virtual line, making it possible to automatically detect intrusions and to trigger alarms accordingly.

i-View IR-2MIPQ03 also featuring a detailed 2-Megapixel resolution with H.265 high-efficiency compression technology, offering 30fps frame rate and True WDR enhancement for unparalleled visibility in extremely bright and dark environments, as well as for installers to properly adjust the focus of a megapixel network camera can be difficult due to the image detail, the Smart Focus function makes installation and adjustment easier. The weather resistance features are brilliant for indoor and outdoor surveillance, plus shock detection, impact resistance with IK10, waterproof IP66 rating and the ability to withstand temperatures from -30°C to 55°C , it delivers impressive results outdoors and in harsh environments.

Features

- Onvif compliant and RTSP protocol support.
- Advance H.265 ULCR compression save 60~80% bandwidth and storage size compare with H.264.
- Support multi Enhanced IVS (Intelligent Video Analysis) function.
- Search and playback the video clips of SD card from Web Browser.
- Auto alarm when SD card and Network failed, IP conflict, Illegal access.
- Support export/import/restore system configuration for backup purpose.
- Auto sound alarm output via the local speaker when the event triggers even though there is no NVR connection.
- Removable IR-cut filter supports for Day & Night application used.
- Quick Zoom® simple Zoom and Auto-Focus adjustment remotely.
- Smart IR Illuminators adjust the IR LED light across the entire area to get a well illuminated image, effective up to 30 meters.
- Vandal-proof IK10-rated, IP 66 Weather-proof rated Housing.
- True WDR Enhancement for Unparalleled Visibility in Extremely Bright and Dark Environments.
- Built-in View log function, search log by timeline, alarm, exception, setup and operation categories.
- Display the multi IVA statistical report on the browser with histogram · line chart and list table categories.
- On-camera motion detection and privacy mask.
- Pixel Counter and FPS display on the video for image clarity measurement to get the optimum video quality and file size.
- Virtual ePTZ for efficiency surveillance.
- ROI (Region of Interest) encoding is used to enhance the quality of images which are specified in advance.
- Auto reboot schedule by daily, weekly, monthly, once and disable.
- Wide operation temperature (-30°C ~ 55°C) rage.

Accessories



EPoC-131 Kit
Eth/PoE Extender



IP-0910W
Outer Wall Bracket

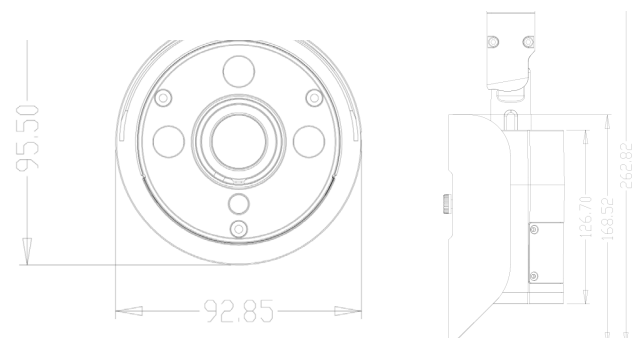


IP-010PW
Pole mount bracket



IP-0191W
Inner Wall Bracket

Dimension



Specification

Platform	High performance DSP; 1024MB Flash; 2048MB RAM and Linux Embedded O.S.
Image Device	1/2.8" 2MP Sony progressive scan CMOS sensor.
Audio	G.711 Ulaw audio encoding and decoding. Support two-way audio. Audio in/out gain adjustable 2Vp-p audio in; 30mw audio output with 600Ω imedance.
Network	IP4, IP6, HTTP, HTTPS, SSL, TCP, RTSP, UDP, SMTP, FTP, DHCP, DNS, DDNS, NTP, PPPoE, UPnP, Multicast, RTP, RTCP, SNTP, RTMP, ICMP, IGMP.
Interface	RJ-45; 10BASE-T/100 BASE-TX.
Compatible	Onvif Profile S compliant
IVA Functions	Object Counting, Object Detection (Car / People), Loitering Detection, Retrograde Detection, Absent Detection, Intrusion Detection. Motion Detection, Tamper Detection.
Surge Protector	
Power	2KV@1.2/50 μS Common mode
Signal	6KV@102/700 μS Differential mode
Management	
Time	Manual Time Setting; Time Server, NTP support, DST Bias and Real Time Clock.
Event Trigger	Events triggered by IVA, sensor with configured schedule.
Event notification	Event notification via move preset, send email, snapshot, recording, sound alarm and trigger alarm output.
Update	Online Firmware update.
Browser	Internet Explorer 7.0 and above.
Video Setting	
Compress	H.265,H.264 HP/MP/BL, MJPEG encode, CBR/VBR mode
Frame Rate	30fps for the all resolution; Frame and bit Rate djustable.
Bit Rate	16K - 8M Bits/sec. adjustable resolution, quality and Bitrate.
Resolution	Streaming 1: 1920X1080, 960P, 720P, 720x576, 640x480, 640x360, 352x288 Streaming 2: 720x576, 640x480, 640x360, 352x288 Streaming 3: 1920X1080, 960P, 720P, 720x576, 640x480, 640x360, 352x288
Backup	Import / Export parameters, Restore setup.
S/N Ratio	More than 50dB

Control	Brightness, Contrast, Saturation, Sharpness, Hue, Exposure, Motion detection, Mirror, Corridor mode, Gamma, Shutter, Privacy mask, Flicker less, 3DNR, Defog, Lens curve correct, IRIS, AWB, AGC, Backlight, WDR, ROI, ePTZ, Audio gain, Alarm in/out, IVA trigger, IRIS, Network Failed detect, SD card filed detect, Email, Power Frequency, IP Conflict, Illegal Access, Alarm triggered, Frame/Bit rate display.
WDR	≥ 120 dB; True TWDR/DWDR/OFF Mode.
Shutter	Slow shutter, Auto / Fixed: 1/25s~1/10,000s
ROI	Support 8 areas and 1~6 levels adjustable
Focus Adjustment	Focus area: Center / Full area & Focus mode: Panoramic/ 1.5m / 3m/ 6m/ Infinity
AGC	Auto / Low / Mid-Low/ Mide/ Mid-High / High
Illumination	Color: 0.03Lux/F1.2 ; B/W: 0.01/F1.2 Lux, 0 Lux IR on.
White Balance	Auto/ Customize/ Incandescent/ Fluorescent/ Warm / Natural
Backlight	Off/ Highlight correction/ Backlight correction with 5 levels
Display Mode	16:9 / 4:3/ Full/ Orignal size modes.
Overlay	Text / Time Stamp; support more than OSD 80 characters, front type, size, position & color adjustable by user.
I/O Port	
Standard	Audio in/out; DC power in, RJ-45, SD Card.
Option	Alarm in x2, Alarm out x1, RS-485
Security	Password, Mac no filter, User access log protection.
Lens & IR LED	
Lens	Vari Focal: f= 2.8-12mm/F1.4; 6-22mm/F1.4; 5-50mm/F1.4 Motorized: f= 2.8-12mm/F1.4 ; 2.8-12mm/F1.4; 5-50mm/F1.4
IR Cut	Built in removable IR-cut filter for day & night function
IR Illuminators	3 pieces VCSEL IR Illuminators effective up to 30 meters. Support Smart Auto/Off/Manual IR LED control.
Storage	
Recording	Schedule config the video recording and interval snapshot on the HDD or SD card; support Pre recording (0~10s) and post recording (5~600s)
Housing	
Case	Aluminum; adjust angle 180° (Pan)/180° (Tilt)/360° (Rotate)
Dimensions	263 mm x 95.5 mm x 92.9 mm / 0.9Kg.
Operation	
Power consumption	Maximum 3W; 9W when IR LED on. Support PoE IEEE 802.3af Class 3; DC12V/AC24 (Optional)
Temperature	-30° C ~ 55° C; Humidity 20% ~ 80% RH
Certificated	CE, FCC, RoHS, IP66, IK10

Diagram



Order Information

IR-2MIPQ03-Fxxxx-F

F: Alarm in/Out

Vari-Focal Lens: F0312: 2.7-12mm, F0622: 6-22mm, F0550: 5-50mm
Motorized Lens: M0312: 2.8-12mm, M0312(P): 2.8-12mm,
M0550: 5-50mm



Tel: 886-3-5103001 Fax: 886-3-5103002
Email: support@i-view.com.tw
Website: www.i-view.com.tw