



Face Recognition Waterproof IR Bullet Network Camera

IR-2MIPR03

H.265, Face Recognition, True WDR, Starlight, Motorized Lens, Smart IR, IK10, IP66

Overview

i-View QkDefine® IR-2MIPR03 is an In-Camera facial recognition network camera which can identify known threats instantly. Facial recognition is a perfect complement to your existing surveillance system, enhancing security and/or customer experience in real time. Whether you wish to recognize, identify or verify a person, a camera and recorder with facial recognition capability is an efficient solution. The IR-2MIPR03 works with AnyNet NVR to a perfect Face Recognition system, an accurate, scalable, private, secure, the real-time alert crosses App, SMS, email and Central Monitoring Server will more effectively prevent crime to help you improve customer service and protect your assets by identifying important customers or potential perpetrators. It is a perfect complement to your existing surveillance system.

i-View IR-2MIPR03 also featuring a detailed 2-Megapixel resolution with H.265 high-efficiency compression technology, offering Starlight sensor and True WDR enhancement for unparalleled visibility in extremely bright and dark environments, as well as for installers to properly adjust the focus of a megapixel network camera can be difficult due to the image detail, the Smart Focus function makes installation and adjustment easier. The weather resistance features are brilliant for indoor and outdoor surveillance, plus shock detection, impact resistance with IK10, waterproof IP66 rating and the ability to withstand temperatures from -30 °C to 55 °C, it delivers impressive results outdoors and in harsh environments.

Features

- Autonomous depth learning core algorithm of Face recognition.
- Capture accuracy ≥ 99%, which supports the function of image quality score filtering face and removing duplication.
- Onvif compliant and RTSP protocol support.
- Advance H.265 ULCR compression save 60~80% bandwidth and storage size compare with H.264.
- Support multi IVA (Intelligent Video Analysis) function.
- Search and playback the video clips of SD card from Web Browser.
- Auto alarm when SD card and Network failed, IP conflict, Illegal access.
- Support export/import/restore system configuration for backup purpose.
- Support export/import system configuration for backup purpose.
- Removable IR-cut filter for Day & Night function.
- Quick Zoom® to simple the Zoom and Auto-focus adjustment remotely.
- Built-in 3 pieces VCSEL IR Illuminators, effective up to 30 meters.
- Vandal-proof IK10-rated, IP 66 Weather-proof rated Housing.
- WDR Enhancement for Unparalleled Visibility in Extremely Bright and Dark Environments.
- Smart IR to adjust the IR LED light across the entire area to get a well to illuminate the image and IR Illuminators effective up to 30 meters.
- H.265/H.264 /MJPEG multiple simultaneous streams.
- On-camera motion detection and privacy mask.
- Pixel Counter and FPS display on the video for image clarity measurement to get the optimum video quality and file size.
- Virtual ePTZ for efficiency surveillance.
- ROI (Region of Interest) encoding is used to enhance the quality of images which are specified in advance.
- Built-in heater & Fan to support wide temperature (-30° C ~ 55° C) range.

Accessories



EPoC-131Kit
Eth/PoE Extender



IP-020PH
Pole mount bracket



IP-012JB
Waterproof Jun. Box

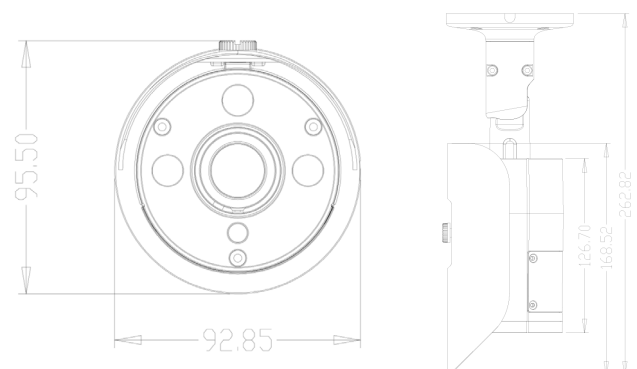


IP-019IW
Inner Wall Bracket



IP-091OW
Outer Wall Bracket

Dimension



Specification

Platform		Bit Rate	16K – 8M Bits/sec. CBR/VBR mode.
	32-Bits image process DSP ; 512MB Flash; 1024MB DDR IIRAM and Linux 2.6 Embedded O.S.	Configure	Import/Export parameters, Restore, Default setup
Image Device		Resolution	Streaming 1: 1920x1080, 1280x960, 1280x720, D1, VGA, CIF Streaming 2: 1280x720, 720x576, 352x288 Streaming 3: 1920x1080, 1280x960, 1280x720, D1, VGA, CIF.
	1/2" 2MP Sony Start light Progressive Scan CMOS	Control	Face recognition, Face detect, Face database, Brightness, Contrast, Saturation, Sharpness, Hue, Exposure, Motion detection, Mirror, Corridor mode, Gamma Shutter, Privacy mask, Flicker less, 3D Noise reduction, Defog, IRIS, AWB, AGC, Backlight, WDR, ROI, ePTZ, Audio gain, Alarm in/out, IVS trigger, IRIS, Network Failed detect, SD card filed detect, FTP, Email, Power Frequency, IP Conflict, Illegal Access, Alarm triggered, Frame/Bit rate display.
Audio		Shutter	Slow shutter, Auto / Fixed: 1/1s~1/100,000s
	G.711 Ulaw audio encoding and decoding.	WDR	≥ 120 dB; True WDR/DWDR/OFF Mode.
	2Vp-p audio in; 30mw audio output with 600Ω impedance.	Illumination	Color: 0.01Lux /F1.2 ; B/W: 0.001/F1.2 Lux, 0 Lux IR LED on.
Network		Overlay	Text / Time Stamp; support more than OSD 80 characters, Front type, Front size, position & Color adjustable by user.
Protocol	IP4, IP6, HTTP, HTTPS, SSL, TCP, RTSP, UDP, SMTP, FTP, DHCP, DNS, DDNS, NTP, PPPoE, UPnP, Multicast, RTP, RTCP, SNTP , RTMP, ICMP, IGMP.	Browser	IE, Chrome, Safari, Firefox with Plug-In.
Interface	RJ-45; 10BASE-T/100 BASE-TX.	IVA	Object Counting, Unattended/Missing Object Detect, Loitering Detect, Tripwire Detect, Color Cast Detect, Lose Focus Detect, Image Expose Detect, Video Loss Detection, Tamper Detect, Reverse direction detect, Gather detect.
Compatible	Onvif Profile S compliant	Lens & IR LED	
Face Recognition		Lens	Motorized lens: f= 3.6-11mm/F1.4 ; f= 3.6-11mm/F1.4, P-IRIS or DC-IRIS (Optional).
Face Detection	Maximum detect 20 face targets simultaneously.	IR Cut	Built in removable IR-cut filter for day & night function
Database	Support 10000 Face Database.	IR Illuminators	3 pieces VCSEL IR Illuminators effective up to 30 meters. Support Smart Auto/Off/Manual IR LED control.
Comparison	Allow manual input of photos to be compared with the face database.	Storage	
Recognize Face	Distance between pupils ≥ 60 pixels; face ≥ 150 pixels.	SD Card	Micro SD slot for SD/SDHC card storage; IVA trigger, Network failed start recording on SD card.
Attitude angle	Capture angle: ≤25° of pitch ≤60° angle from left to right.	Backup	Backup/Restore to device configuration file to SD or HDD.
Accuracy	Capture Face : ≥98% Recognize Face : ≥95%	Housing	
Speed	Recognize speed: ≤200ms.	Case	Aluminum; adjust angle 180° (Pan)/180° (Tilt)/360° (Rotate)
Face Filter	Support duplicate Face filter and detection quality filter.	Dimensions	Φ92.9 x 95.5 x 262.8 mm / 0.9 Kg.
Detection Area	Adjustable, define by user.	Operation	
Occlusion	Glasses, hair banging and slight backlight have no effect.	Power consumption	Maximum 3W; 9W when IR LED on. PoE IEEE 802.3af; DC12V/AC24 (Optional)
Security		Temperature	-20° C ~ 55° C; Humidity 10% ~ 90% RH
	Password Protection, User access log, Multi-level user access with password protection.	Certificated	CE, FCC, RoHS, IP66, IK10
Management			
Time	Manual Time Setting; Time Server, NTP support and RTC.		
Event Trigger	Events triggered by IVA, sensor with configured schedule.		
Notification	Event notification, move preset, send email and alarm output.		
Update	Online Firmware update.		
I/O			
	DC power, RJ-45, Audio in x1; Audio out x1, SD Card, Alarm in x2, Alarm out x1.		
Video Setting			
Compress	H.265/MP, H.264 HP/MP compression.		
Frame Rate	30fps for all resolution; Frame rate and bit Rate adjustable.		

Diagram



Order Information

IR-2MIPR03-Fxxxx



Vari-Focal Lens: F0411: 3.6-11mm, F0622: 6-22mm

Motorized Lens: M0411: 3.6-11mm, M0622(P): 6-22mm

(P= P-IRIS)



Tel: 886-3-5103001 Fax: 886-3-5103002

Email: support@i-view.com.tw

Website: www.i-view.com.tw