



Waterproof IR Bullet Network Camera

IR-6MIPS08

H.265 | True WDR | Starlight | 5MP@30fps | Motorized Lens | Tampering alarm | Smart IR | IK10

Overview

i-View's IR-6MIPS08 Dome camera series is an all-around 5 MP resolution network camera, as well as is a cost-effective, all-around camera providing excellent image quality at a full frame rate in 5-megapixel resolution because it delivers our brilliant light-compensating even in challenging light conditions including low light and strong backlight, and also True WDR for clarity when there are both dark and light areas in the scene. Fully-featured with Starlight and Smart IR which fully illuminates completely dark scenes for up to 35 meters.

IR-6MIPS08 Outdoor-ready features are brilliant for outdoor surveillance, plus shock detection, impact resistance with IK10, waterproof IP66 rating and the ability to withstand temperatures from -40°C to 60°C (-40°F to 140°F), it delivers impressive results outdoors and in harsh environments. IR-6MIPS08 also offers – more! It has extra capacity for onboard analytics as well as video with audio. You can add additional functionality thanks to I/O ports. And features like remote zoom and auto rotate for corridor view keep installation fast and cost-effective.

Features

- Onvif compliant and CGI, RTSP protocol support.
- H.265 compression saves bandwidth and storage size.
- Up to 30 fps @5-Megapixel | 60 fps @2-Megapixel video resolution.
- Built in TVS surge protector.
- Built-in 802.3af compliant PoE.
- Auto recording video into SD card when Network failed.
- Video and interval snapshot schedule recording on SD card or FTP server.
- Removable IR-cut filter for Day & Night function.
- Quick Zoom® simple Zoom and Auto-Focus adjustment remotely.
- Built-in 4 pieces VCSEL IR Illuminators, effective up to 35 meters.
- Vandal-proof IK10-rated, IP 66 Weather-proof rated Housing.
- True WDR Enhancement for Unparalleled Visibility in Extremely Bright and Dark Environments.
- Smart IR to adjust the IR LED light across the entire area to get a well-illuminated image.
- Anti-cut cable and junction box design for Protected Installation
- H.265/H.264 /MJPEG multiple simultaneous streams.
- On-camera motion detection and privacy mask.
- Pixel Counter and FPS display on the video for image clarity measurement to get the optimum video quality and file size.
- Virtual ePTZ and POP (Picture of Picture) display for efficiency surveillance.
- Wide operation temperature (-40°C ~ 60°C) rage.

Accessories



EPoC-131Kit
Eth/PoE Extender



IP-0910W
Outer Wall Bracket



IP-010PH
Pole mount bracket



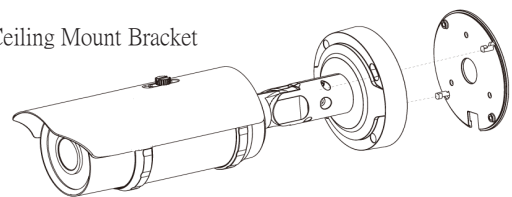
IP-012JB
Waterproof Jun. Box



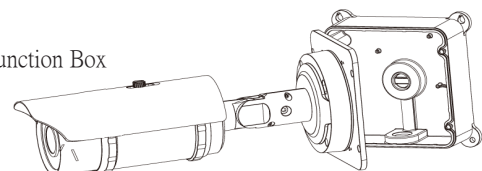
IP-0191W
Inner Wall Bracket

Bracket Assembly

Wall/Ceiling Mount Bracket



With Junction Box

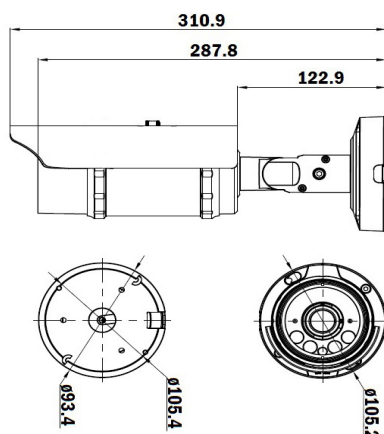


Specification

Platform	
	High performance DSP; 512MB Flash; 1024MB DDR II RAM and Linux 2.6 Embedded O.S.
Image Device	
	1/1.8" 6.41MP Sony progressive scan CMOS sensor.
Audio	
	G.711 Ulaw & G.711 Alaw audio encoding and decoding.
	External microphone input and speaker output.
	Support two-way audio. Audio gain adjustable
	2Vp-p audio in; 30mw audio output with 600Ω impedance.
Network	
Protocol	IPv4, IPv6, DNS, DDNS, DHCP, PPPoP, HTTP, HTTPS, RTSP, UDP, TCP, SSH, QoS, UPnP, SMTP, SSL, STARTTLS, SNMP V1/V2, ONVIF, CGI, Bonjour, 802.1x, Multicast, RTMP, RTP, FTP.
Interface	RJ-45; 10BASE-T/100 BASE-TX.
Compatible	Onvif compliant
Surge Protector	
Power	2KV@1.2/50 μS Common mode
Signal	6KV@102/700 μS Differential mode
Security	
	Password Protection, User access log; IP address filtering, and Mac filtering, Multi-level user access with password protection.
Management	
Time	Manual Time Setting; Time Server, NTP support, DST offset and Real Time Clock.
Event management	Events triggered by Motion detection or sensor trigger with configured schedule.
Event notification	Event notification via Pop up video, send snapshot via email and trigger alarm output.
Update	Online Firmware update.
Browser	
	Internet Explorer 7.0 and above; Chrome, Safari, Firefox with Quick time Plug-In.
Video Setting	
Compress	H.265/MP, H.264 HP/MP/BL, MJPEG compression.
Frame Rate	30fps @5MP 60fps @2MP for all compression mode
Bit Rate	1K - 12M Bits/sec. CBR/VBR mode; adjustable resolution, quality and Bitrate.

Resolution	Streaming 1: 2592x1944, 2592x1520, 2560x1440, 2048x1536, 2304x1296, 1920x1080, 1280x1024, 1280x960, 1280x720. Streaming 2: 1280x720, 800x600, 704x480, 640x480, 640x360, 352x240, 352x180, 352x176. Streaming 3: 352x288, 320x180., 320x176.
Control	Brightness, Contrast, Saturation, Sharpness, Exposure, Motion detection, Mirror, Corridor mode, Shutter, Privacy mask, Flicker less, 3D Noise reduction, Defog, IRIS, AES, AWB, AGC, BLC, WDR, ROI, Audio gain, Alarm in/out. Video recording by scheduling, Network, CPU usage display, Interval schedule Snapshot (1 sec~1 week).
WDR	≥ 120 dB; True WDR; On/ Hi / Low modes
AWB	Auto/ Cloudy/ Sunny/ Fluorescent / Tungsten
Shutter	Auto / Fixed: 1/5s~1/50,000s
S/N Ratio	More than 50dB
Illumination	Color: 0.01 Lux/F1.2; B/W: 0.005 Lux/F1.2; 0 Lux IR LED on.
Overlay	Text / Time Stamp; support more than OSD 60 characters, Front size, position & Front transparency adjustable by user.
I/O Port	
Standard	Audio in x1; Audio out x1; DC power in, RJ-45, Reset.
Option	Alarm in/Out, Video Out, SD Card, Smart LED.
Lens & IR LED	
Lens	Vari Focal Lens: f=3.6-11 mm / F1.4-F2.4 (H: 110.3° ~45.6° ; V: 55.5° ~24.1°) Motorized Lens: f=3.6-11 mm / F1.4-F2.4 (H: 110.3° ~45.6° ; V: 55.5° ~24.1°)
IR Cut	Built in removable IR-cut filter for day & night function
IR Illuminators	4 pieces VCSEL IR Illuminators effective up to 35 meters.
Storage	
	Micro SD slot for SD/SDHC card storage; Support Pre-recording and Post recording; Alarm trigger, Motion trigger, Network failed and NVR stop recording start recording on SD card/FTP Server. Backup/Restore to device configuration file to FTP/SMTP sever.
Housing	
Case	Aluminum; adjust angle 180° (Pan)/180° (Tilt)/360° (Rotate)
Size/Weight	105 mm x 122 mm x 310 mm / 1.1Kg.
Operation	
Power consumption	Maximum 3W; 10W when IR LED on. Support PoE IEEE 802.3af Class 3; DC12V/AC24 (Optional)
Temperature	-40° C ~ 60° C; Humidity 20% ~ 80% RH
Certificated	
	CE, FCC, RoHS, IP66, IK10

Diagram



Order Information

IR-6MIPS0S-Fxxxx-F

F: Alarm in/out, Video out, SD Card, Gyro sensor, Smart LED.

F0411: 3.6-11mm, M0411: 3.6-11mm



Tel: 886-3-5103001 Fax: 886-3-5103002
Email: support@i-view.com.tw
Website: www.i-view.com.tw