



## Waterproof IR Pan/Tilt/Zoom Network Camera

# PTZ-2MIPK-10XIR

10x Zoom, Auto Focus, 80 Meters IR, Multiple Scan, Pan/Tilt/Zoom, Surge Protection, IP66

### Features

- 10x Optical Zoom Lens and 16x Digital Zoom
- 8 Cruising tracking, each cruising track has 32 presets.
- 8 Auto-scan with user-defined boundaries position.
- 4 pattern tours with 600 seconds or 500 programmable instructions.
- Pan 0.5~15° /Sec, Tilt 0.5~10° /Sec preset speed.
- Schedule multiple scan modes by user define for different field applications.
- 0~260° Pan scan range, -5~55° Tilt scan range.
- Onvif compliant and RTSP protocol support.
- H.265 compression saves bandwidth and storage size.
- Built-in 802.3af compliant PoE.
- Support export/import system configuration for backup purposes.
- Quick Zoom® to simple the Zoom and autofocus adjustment remotely.
- WDR Enhancement for Unparalleled Visibility in Extremely Bright and Dark Environments.
- Built-in the video playback program, support search by timeline and event (such as Motion, Alarm trigger, Tamper, Network failed, IP conflict ) log file.
- Built-in View log function, search log by timeline, alarm, exception, and operation categories.
- On-camera motion detection and privacy mask.
- Smart IR adjusts the IR LED across the entire area to get a well-illuminated image.
- Bitrate counter and FPS display on the video for image clarity measurement to get the optimum video quality and file size.
- Auto recording video into SD card when Network failed.
- Built-in VSEL IR Illuminators, effective up to 80 meters.
- 2D/3D Noise Filter increasing the video quality when dark environment.
- On-camera motion detection and privacy mask.
- Smart IR to adjust the IR irradiation angle by adjustable by zoom times to get a well-illuminated image.
- ROI (Region of Interest) encoding is used to enhance the quality of images that are specified in advance.
- Removable IR-cut filter for Day & Night function.
- Wide operation temperature (-35° C~ 55° C) range.

### Overview

i-View PTZ-2MIPK-10XIR is a high-performance day/night PTZ Network camera suitable for professional Day/Night viewing surveillance applications. The IP66-rated housing protects the camera body against rain and dust to ensure operation under extreme weather conditions. The PTZ-2MIPK-10XIR up to 80 meters viewing distance while is especially suitable for monitoring open range outdoor spaces such as Factory, Department Store, and Train Station, where high-level reliability and precision are always required.

The PTZ-2MIPK-10XIR supports high-performance H.265/H.264 compression technology and offers extra smooth video quality with resolution up to 30fps @1080p. With a sophisticated pan/tilt mechanism, the camera provides the fast, precise movement with 260-degree pan and -5~55 degree tilt. Users can easily control the lens position via a mouse or a joystick to track the object of interest in and set up to 256 preset positions for patrolling.

As with all i-View true day/night cameras, the PTZ-2MIPK-10XIR features are movable IR-cut filter, maintaining clear images 24 hours a day. The built-in SD/SDHC card slot offers a convenient and portable storage option to prevent data loss in case of network disconnection. With other advanced features such as Motion Detection, Auto scan, and ROI the PTZ-2MIPK-10XIR is the best choice for the most demanding open range area outdoor surveillance applications.

### Accessories

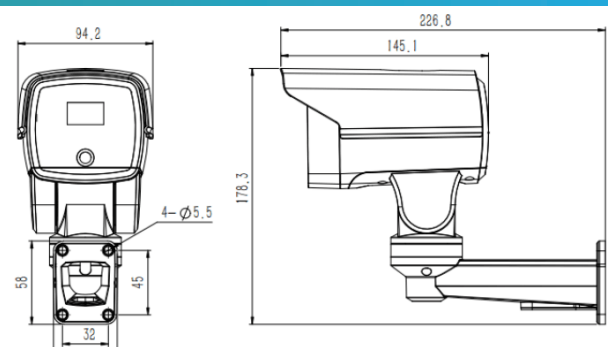


EPoC Kit  
Ethernet/PoE Extender



FSKY-200 USB  
USB 3D Joystick

### Diagram



## Specification

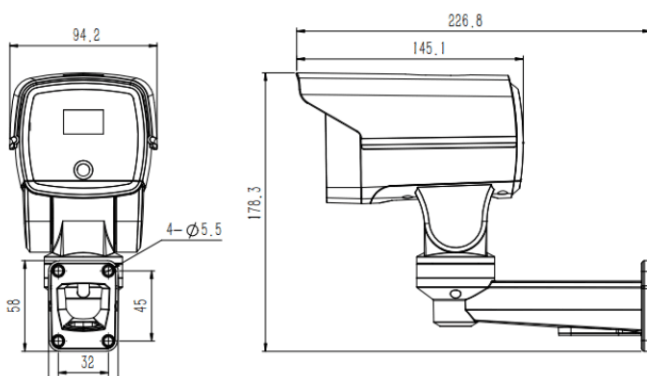
Camera	
Image Sensor	1/2.8" Progressive CMOS sensor
Minimum Illumination	Color: 0.05 Lux /F1.6 AGC on ; B/W: 0.001 Lux/F1.6 AGC on, 0 Lux IR LED on
S/N Ratio	≥ 50dB
WDR	On / Off
Focal Length	10x Optical zoom(f=5~50mm// F1.4 to F4.2); 72° (Wide) to 21° (Tele end), 16x Digital zoom
Pan/Tilt	
Pan / Tilt Angle	0° ~260° pan scan range; -5° ~55° Tilt scan range
Pan / Tilt Speed	Pan: 0.5° ~15° /S, Tilt: 0.5° ~10° /S
Presets Number	256; Accuracy +/-0.1°
Guard Location	The camera will rotate back to preset position/Auto Scan/ Auto Cruising/Pattern Tour / off (define by user) after a period of vacant time.
Auto Scan	8 auto scan tracks, user-defined left, and right boundaries and scan speed
Auto Cruising	8 cruising tracks, each cruising tracks has 16 preset positions, User-defined dwell time
Pattern Tour	4 groups, each one with 500 programmable instructions
OSD	Support OSD function
Infrared	
IR irradiation distance	850nm Illuminators, effective up to 80 Meters.
IR irradiation angle	Support Auto/ Manual/ Off mode. Smart IR to adjust the IR LED across the entire area to get a well-illuminated image.
Alarm	
Event Trigger	Events triggered by Temper alarm, Motion detection, Alarm input, IP conflict, Network failed, SD card error/full.
Notification	Video recording, Alarm output, Sound alarm, Snapshot send out via email, FTP or save into SD card.
Audio (Option)	
Input / Output	2-way audio, Line & Mic in: 2Vp-p / Impedance: 600Ω
Audio Control	0 (Mute)~100 level adjustable, support 3D noise reduce filter.
Codec:	G.711uLaw compression
Setting	
Shutter	Slow shutter, Auto / Fixed: 1/8s~1/30,000s
Exposure	Auto / Manual (0~100 adjustable)
Gain	Auto / Manual (0~100 adjustable)
Enhance	Video quality enhance; 2D/3DNR (0~100 adjustable)
Frame rate	50Hz - Main: 25 fps (1920x1080, 1280x960, 1280x720) Sub: 25 fps (352x288, 704x576) 60Hz - Main: 30 fps (1920x1080, 1280x960, 1280x720), Sub streaming: 30 fps (352x288, 704x480)
Bitrate	32K~10M Bits/sec; CBR/VBR mode; resolution, quality, FPS and Bitrate can be adjustable, H.265/H.264 MP/Baseline compression

Control	Control, Brightness, Contrast, Saturation, Sharpness, Hue, Exposure, Temper alarm, Motion detection, Mirror, Shutter, Privacy mask, 2D/3D Noise reduction, Remote zoom, Autofocus, AWB, AGC, WDR, ROI, ePTZ, Audio gain, Alarm in/out, Network Failed, SD card filed detect, FTP, Email, Power frequency, IP conflict, Alarm triggered, Snapshot, Recording, Frame/Bit rate display, CPU and Memory usage status.
Protocols	TCP, UDP, HTTP, HTTPS, DHCP, DNS, DDNS, RTSP, PPPoE, UPnP, FTP, IPv4, IPv6, SMTP, NTP, SNMP, SSL, AES, NAT, SIP
Motion	Support multi-area setting, 1-100 sensitivity levels, Pre-recording (5-600 seconds), Post-recording (5-600 seconds )
Snapshot	Interval (1~86,400s) snapshot setup save to SD card, FTP or send via email.
Recording	Schedule video recording with 4 modes: Motion detection, Alarm trigger, Motion detection+Alarm trigger, Motion detection or Alarm trigger.
Privacy mask	Off/ On, support 4 areas.
Configure	Import/Export parameters, Restore, Default setup
WDR	≥ 110 dB; WDR ON/OFF Mode.
Time Clock	Manual, NTP support and Real-Time Clock
Remote Users	Up to 10 simultaneous users
Micro SD Card	SD/SDHC Slot, up to 128GB Edge recording
Reboot	Manual / Schedule reboot
Security	User authentication, IP address filtering (Blacklist, Whitelist)
Display	Up to 60 characters and fone size adjustable; support Time Stamp/ Text overlay display and 4:3/16:9/Full screen/Original video modes.
Web Browser	Internet Explorer; Chrome, Safari, Firefox with Plug-In
Update	Online Firmware update

I/O	
	Standard: RJ45, DC Jack, TF Card Slot. Option: Alarm in/ Out, Audio in/out.

General	
Menu Language	English / Chinese
Protocols	Auto Compatible PELCO_P, PELCO_D
Power Supply	12 VDC/2A VDC: 23W Maximum when IR LED on
Operation	Temperature: -35° ~ +55° C; Humidity: 0~90%
Protection Level	TVS 3,000V lightning protection, surge protection, and voltage transient protection.
Mounting	Wall Mount
Dimensions	225(L)×180(H)×94(W) mm
Weight	0.92 Kg (without bracket)
Certification	
	CE, FCC, IP66, RoSH

## Diagram



## Order Information

### PTZ-2MIPK-10XIR

2-Mega 10x Zoom Outdoor IR PTZ Network Camera.



Tel: 886-3-5103001 Fax: 886-3-5103002  
Email: support@i-view.com.tw  
Website: www.i-view.com.tw

