



## Waterproof IR Pan/Tilt/Zoom Network Camera

# PTZ-2MIPK-4XIR

4x Zoom, Auto Focus, 50 Meters IR, Multiple Scan, Pan/Tilt/Zoom, Surge Protection, IP66

### Features

- 4x Optical Zoom Lens and 16x Digital Zoom
- 8 Cruising tracking, each cruising track has 32 presets.
- 8 Auto-scan with user-defined boundaries position.
- 4 pattern tours with 600 seconds or 500 programmable instructions.
- Pan 0.5~15° /Sec, Tilt 0.5~10° /Sec preset speed.
- Schedule multiple scan modes by user define for different field applications.
- 0~260° Pan scan range, -5~55° Tilt scan range.
- Onvif compliant and RTSP protocol support.
- H.265 compression saves bandwidth and storage size.
- Built-in 802.3af compliant PoE.
- Support export/import system configuration for backup purposes.
- Quick Zoom® to simple the Zoom and autofocus adjustment remotely.
- WDR Enhancement for Unparalleled Visibility in Extremely Bright and Dark Environments.
- Built-in the video playback program, support search by timeline and event (such as Motion, Alarm trigger, Tamper, Network failed, IP conflict ) log file.
- Built-in View log function, search log by timeline, alarm, exception, and operation categories.
- On-camera motion detection and privacy mask.
- Smart IR adjusts the IR LED across the entire area to get a well-illuminated image.
- Bitrate counter and FPS display on the video for image clarity measurement to get the optimum video quality and file size.
- Auto recording video into SD card when Network failed.
- Built-in VSEL IR Illuminators, effective up to 50 meters.
- 2D/3D Noise Filter increasing the video quality when dark environment.
- On-camera motion detection and privacy mask.
- Smart IR to adjust the IR irradiation angle by adjustable by zoom times to get a well-illuminated image.
- ROI (Region of Interest) encoding is used to enhance the quality of images that are specified in advance.
- Removable IR-cut filter for Day & Night function.
- Wide operation temperature (-35° C~ 55° C) range.

### Overview

i-View PTZ-2MIPK-4XIR is a high-performance day/night PTZ Network camera suitable for professional Day/Night viewing surveillance applications. The IP66-rated housing protects the camera body against rain and dust to ensure operation under extreme weather conditions. The PTZ-2MIPK-4XIR up to 50 meters viewing distance while is especially suitable for monitoring open range outdoor spaces such as Factory, Department Store, and Train Station, where high-level reliability and precision are always required.

The PTZ-2MIPK-4XIR supports high-performance H.265/H.264 compression technology and offers extra smooth video quality with resolution up to 30fps @1080p. With a sophisticated pan/tilt mechanism, the camera provides the fast, precise movement with 260-degree pan and -5~55 degree tilt. Users can easily control the lens position via a mouse or a joystick to track the object of interest in and set up to 256 preset positions for patrolling.

As with all i-View true day/night cameras, the PTZ-2MIPK-4XIR features are movable IR-cut filter, maintaining clear images 24 hours a day. The built-in SD/SDHC card slot offers a convenient and portable storage option to prevent data loss in case of network disconnection. With other advanced features such as Motion Detection, Auto scan, and ROI the PTZ-2MIPK-4XIR is the best choice for the most demanding open range area outdoor surveillance applications.

### Accessories

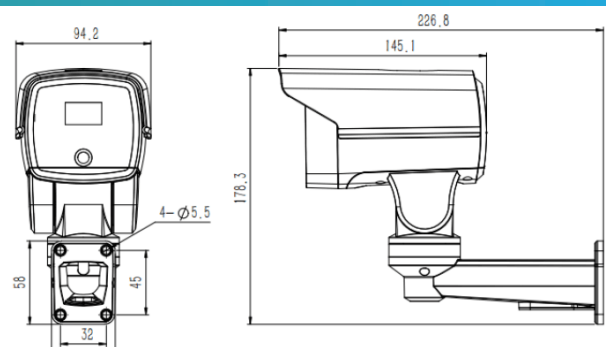


EPoC Kit  
Ethernet/PoE Extender



FSKY-200 USB  
USB 3D Joystick

### Diagram



## Specification

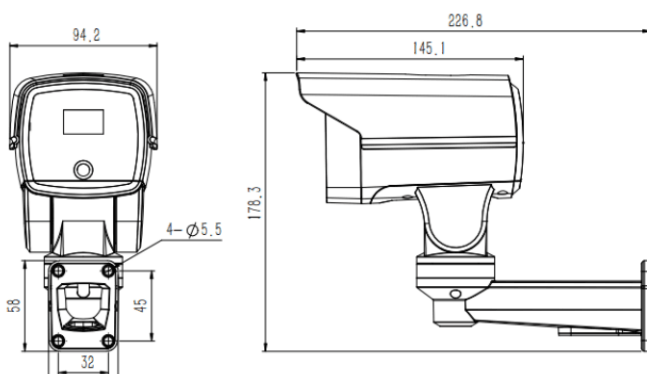
| Camera                  |   |
|-------------------------|---|
| Image Sensor            | 1/2.8" Progressive CMOS sensor  |
| Minimum Illumination    | Color: 0.05 Lux /F1.6 AGC on ; B/W: 0.001 Lux/F1.6 AGC on, 0 Lux IR LED on  |
| S/N Ratio               | ≥ 50dB  |
| WDR                     | On / Off  |
| Focal Length            | 4x Optical zoom (f=2.8~12mm / F1.2 to F2.8); 82 ° (Wide) to 45° (Tele end), 16x Digital zoom  |
| Pan/Tilt                |   |
| Pan / Tilt Angle        | 0° ~260° pan scan range; -5° ~55° Tilt scan range   |
| Pan / Tilt Speed        | Pan: 0.5° ~15° /S, Tilt: 0.5° ~10° /S   |
| Presets Number          | 256; Accuracy +/-0.1°   |
| Guard Location          | The camera will rotate back to preset position/Auto Scan/ Auto Cruising/Pattern Tour / off (define by user) after a period of vacant time.  |
| Auto Scan               | 8 auto scan tracks, user-defined left, and right boundaries and scan speed  |
| Auto Cruising           | 8 cruising tracks, each cruising tracks has 16 preset positions, User-defined dwell time  |
| Pattern Tour            | 4 groups, each one with 500 programmable instructions   |
| OSD                     | Support OSD function  |
| Infrared                |   |
| IR irradiation distance | 850nm Illuminators, effective up to 50 Meters.  |
| IR irradiation angle    | Support Auto/ Manual/ Off mode. Smart IR to adjust the IR LED across the entire area to get a well-illuminated image.   |
| Alarm                   |   |
| Event Trigger           | Events triggered by Temper alarm, Motion detection, Alarm input, IP conflict, Network failed, SD card error/full.   |
| Notification            | Video recording, Alarm output, Sound alarm, Snapshot send out via email, FTP or save into SD card.  |
| Audio (Option)          |   |
| Input / Output          | 2-way audio, Line & Mic in: 2Vp-p / Impedance: 600Ω   |
| Audio Control           | 0 (Mute)~100 level adjustable, support 3D noise reduce filter.  |
| Codec:                  | G.711uLaw compression   |
| Setting                 |   |
| Shutter                 | Slow shutter, Auto / Fixed: 1/8s~1/30,000s  |
| Exposure                | Auto / Manual (0~100 adjustable)  |
| Gain                    | Auto / Manual (0~100 adjustable)  |
| Enhance                 | Video quality enhance; 2D/3DNR (0~100 adjustable)   |
| Frame rate              | 50Hz - Main: 25 fps (1920x1080, 1280x960, 1280x720)<br>Sub: 25 fps (352x288, 704x576)<br>60Hz - Main: 30 fps (1920x1080, 1280x960, 1280x720),<br>Sub streaming: 30 fps (352x288, 704x480) |
| Bitrate                 | 32K~10M Bits/sec; CBR/VBR mode; resolution, quality, FPS and Bitrate can be adjustable, H.265/H.264 MP/Baseline compression   |

|               |   |
|---------------|---|
| Control       | Control, Brightness, Contrast, Saturation, Sharpness, Hue, Exposure, Temper alarm, Motion detection, Mirror, Shutter, Privacy mask, 2D/3D Noise reduction, Remote zoom, Autofocus, AWB, AGC, WDR, ROI, ePTZ, Audio gain, Alarm in/out, Network Failed, SD card filed detect, FTP, Email, Power frequency, IP conflict, Alarm triggered, Snapshot, Recording, Frame/Bit rate display, CPU and Memory usage status. |
| Protocols     | TCP, UDP, HTTP, HTTPS, DHCP, DNS, DDNS, RTSP, PPPoE, UPnP, FTP, IPv4, IPv6, SMTP, NTP, SNMP, SSL, AES, NAT, SIP   |
| Motion        | Support multi-area setting, 1-100 sensitivity levels, Pre-recording (5-600 seconds), Post-recording (5-600 seconds )  |
| Snapshot      | Interval (1~86,400s) snapshot setup save to SD card, FTP or send via email.   |
| Recording     | Schedule video recording with 4 modes: Motion detection, Alarm trigger, Motion detection+Alarm trigger, Motion detection or Alarm trigger.  |
| Privacy mask  | Off/ On, support 4 areas.   |
| Configure     | Import/Export parameters, Restore, Default setup  |
| WDR           | ≥ 110 dB; WDR ON/OFF Mode.  |
| Time Clock    | Manual, NTP support and Real-Time Clock   |
| Remote Users  | Up to 10 simultaneous users   |
| Micro SD Card | SD/SDHC Slot, up to 128GB Edge recording  |
| Reboot        | Manual / Schedule reboot  |
| Security      | User authentication, IP address filtering (Blacklist, Whitelist)  |
| Display       | Up to 60 characters and fone size adjustable; support Time Stamp/ Text overlay display and 4:3/16:9/Full screen/Original video modes.   |
| Web Browser   | Internet Explorer; Chrome, Safari, Firefox with Plug-In   |
| Update        | Online Firmware update  |

| I/O |  |
|-----|--|
|     | Standard: RJ45, DC Jack, TF Card Slot.<br>Option: Alarm in/ Out, Audio in/out. |

| General          |  |
|------------------|--|
| Menu Language    | English / Chinese  |
| Protocols        | Auto Compatible PELCO_P, PELCO_D   |
| Power Supply     | 12 VDC/1.5A VDC: 18W Maximum when IR LED on  |
| Operation        | Temperature: -35° ~ +55° C; Humidity: 0~90%  |
| Protection Level | TVS 3,000V lightning protection, surge protection, and voltage transient protection. |
| Mounting         | Wall Mount   |
| Dimensions       | 225(L)×180(H)×94(W) mm   |
| Weight           | 0.92 Kg (without bracket)  |
| Certification    |  |
|                  | CE, FCC, IP66, RoSH  |

## Diagram



## Order Information

### PTZ-2MIPK-4XIR

2-Mega 4x Zoom Outdoor IR PTZ Network Camera.



Tel: 886-3-5103001 Fax: 886-3-5103002  
Email: support@i-view.com.tw  
Website: www.i-view.com.tw

