

## ◇ Packaging Contents

Check the contents of your new Network IP Camera when you unpack the package. If any item is missing, please contact your dealer of purchase for help. The package includes items as below:

- following items: Network IP Camera x 1ea
- Bundle NVR & CMS software CD x 1ea
- User manual x 1ea
- Mount panel x 1 ea
- Accessory package x 1 set



➔ Anchor 7x27 \* 3 ea



➔ Screw 4 x27 Tp1 Bnd Sus \*3 ea

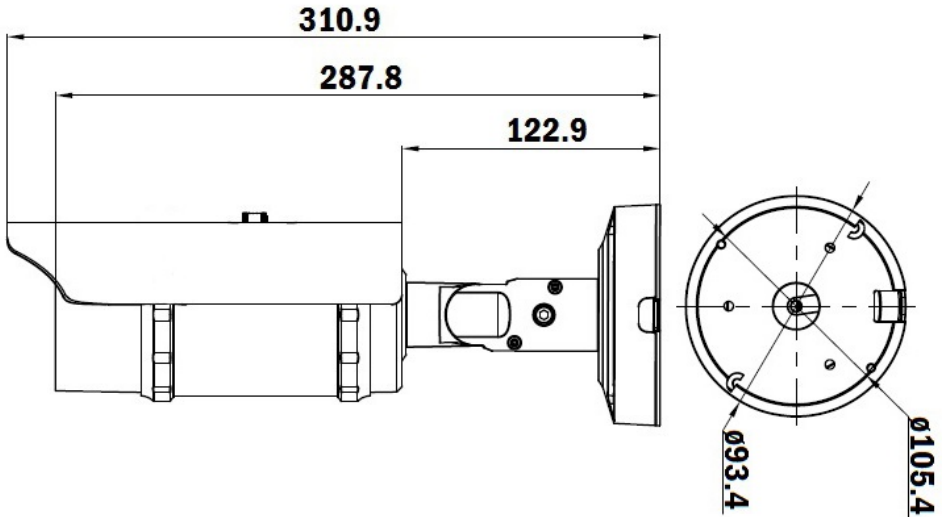


➔ Hexagon wrench 3.0mm L type \* 1 ea

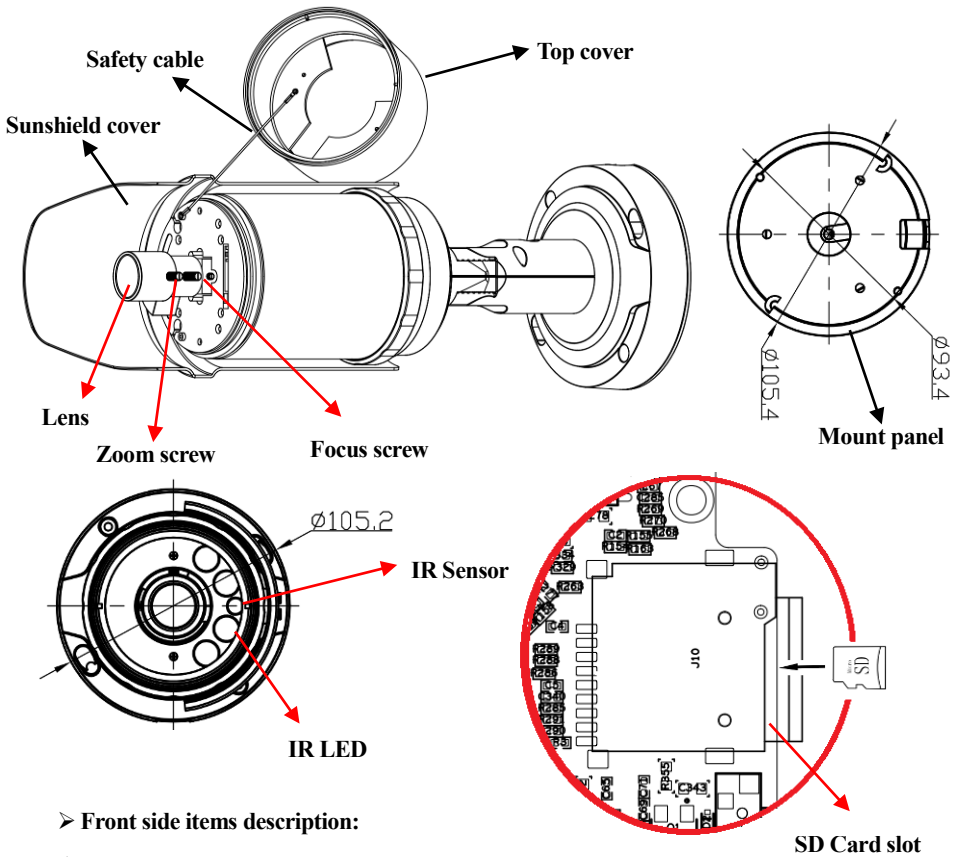


➔ Mount hole sticker \* 1ea

## ◇ Product Dimension



## ◇ Product Parts Description

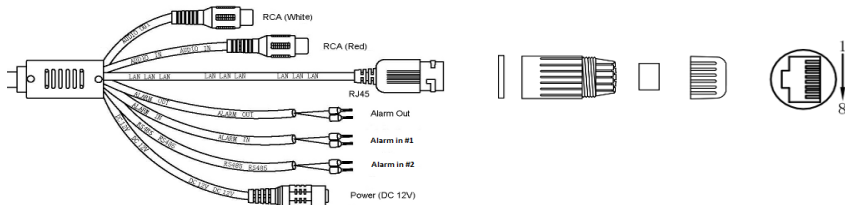


### ➤ Front side items description:

1. **Sunshield cover:** It protects the camera from the direct sunlight.
2. **IR LED:** These infrared LED's are controlled by the illumination sensor.
3. **Illumination Sensor:** Detects incoming light to control the IRLED.
4. **Video out:** Composite video output for adjust the focus and zoom of Lens. (Option)
5. **SD card slot:** Micro SD card slot allow plugging up to 128 G or higher SD card. (Option)
6. **Reset:** Setup the IP camera become to default.
7. **Mount panel:** Mount the camera and wall/ceiling

## Cables: (Item 4 ~6 for Full function model only)

1. **Audio in:** Plug microphone into RCA audio in port (Red color).
2. **Audio out:** Plug speaker into RCA audio out. (White color).
3. **RJ-45 Female connector (Waterproof):** Plug to RJ-45 connector (Male) to extend the transmission distance via UTP cable; then connect to POE Hub.
4. **Alarm in #1:** Alarm in for sensor input (Red/Black wire)
5. **Alarm in #2:** Alarm in for sensor input (Yellow/Black wire)
6. **Alarm Out:** Alarm out (Orange/ Purple wire) for relay trigger.
7. **Reset:** Press 20 seconds the reset button and the camera parameters will become to default.
8. **Power cable:** Connect to DC12V power adapter when use none POE Hub.



## ❖ Wall Mount installation

### ➤ Fix the camera

This camera is waterproof and in compliance with the IP66 spec, but the jack connected to the external cable is not. You are recommended to install this product below the edge of eaves to prevent the cable from being externally exposed.

- 1) Paste the mount hole sticker on the position that you want to install. (Fig 1)
- 2) Use the mount hole sticker to make a hole of 30mm in diameter for passing cable, and drill another three holes on the wall to fix bracket mount. (Fig 2)
- 3) Insert the anchors to fix the screws with the Mount panel. (Fig 3)
- 4) Fix camera with Mount panel, then adjust 5 degree of Anti-clock. (Fig 4)

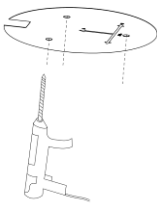


Fig 1



Fig 2

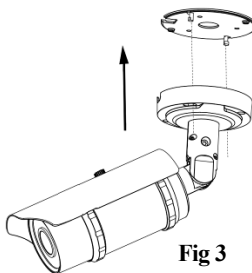


Fig 3

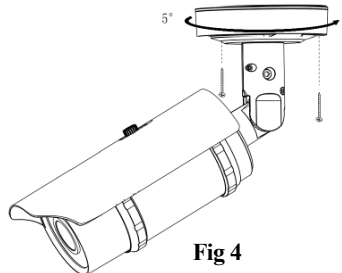
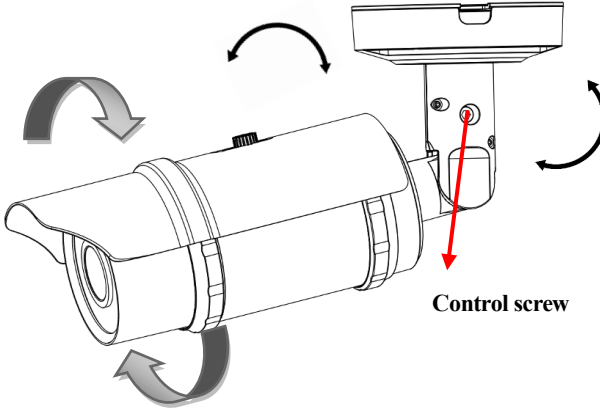


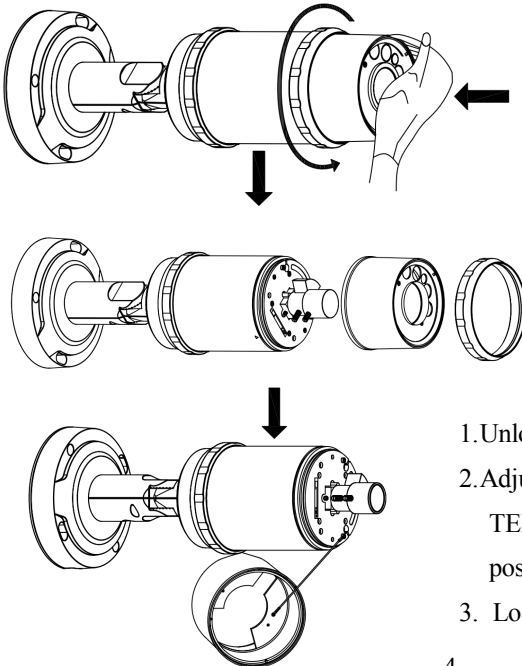
Fig 4

➤ **Adjust camera angle from bracket mount (Please refer the photo as below)**

- 1) Use the Hexagon wrench to loosen the bolt and to rotate the bracket to suitable position.
- 2) Adjust horizontal, vertical or rotate camera body angle of the camera.
- 3) Use the Hexagon wrench to tighten a bolt after adjusting the camera.



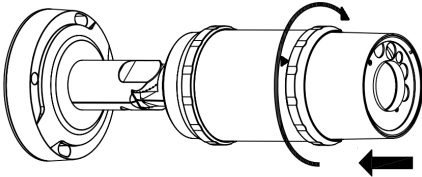
➤ **How to open the top cover and adjust the Lens (No need for Motorized Lens Model)**



1. Remove the sunshield.
2. Push the front cover and move the ring with anti-clockwise direction to move the front cover.

Remove the ring and front cover

1. Unlock the Zoom or Focus levers.
2. Adjust the lever counterclockwise for (NEAR & TELE) and clockwise for (WIDE & FAR) position.
3. Lock the Zoom or Focus levers.



1. Align the front cover and with tri-angle symbol, and then move the ring with clockwise direction to fix to front cover.
2. Replace the sunshield

## ✧ Network Deployment

### General Connection (without PoE)



1. Connect RJ45 Ethernet cable to a switch. Use a Category 5 Cross Cable when your network camera is directly connected to PC.
2. Connect the power cable from the Network Camera to a power outlet.

### Power over Ethernet (PoE)



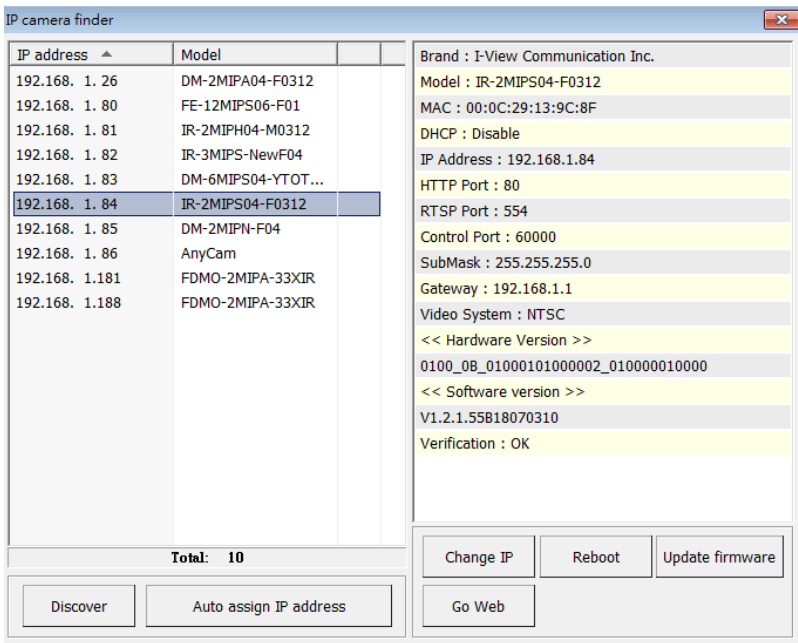
The Network Camera is PoE-compliant, allowing transmission of power and data via a single Ethernet cable. Follow the above illustration to connect the Network Camera to a PoE-enabled switch via Ethernet cable.

## ✧ Accessing IP Camera via IE, Chrome, Safari and Firefox Browser

You can use your new Network IP Camera by its web user interface via IE, Chrome, Safari and Firefox.

You must know the IP address of IP Camera before you can connect to it. The IP Camera will use DHCP server on your local network to obtain an IP address automatically by default. So, you can check your DHCP server's IP address lease table to find the IP address of IP Camera or also can use the utility program 'IP Camera Finder.exe' to find the IP address, which is come with the CD. Follow up the processes to find out the IP address of IP camera by IP Search utility as below.

**Step 1.** Click "IP Camera Finder.exe" program will show the window as below.



**Step 2.** Press "Discover" button to search for all IP Cameras on your local network.

**Step 3.** If you need to change IP address, double click the Mouse on the selected IP Camera and then change the IP address and Gateway IP, then click the "OK" button to save the setting.

**Step 4.** If you no longer need to use this utility, click "X" button to close it.



The default User name / Password is "admin / 123456" and IP address is 192.168.0.123.




Make sure all IP Cameras are powered on and connect to local network first.



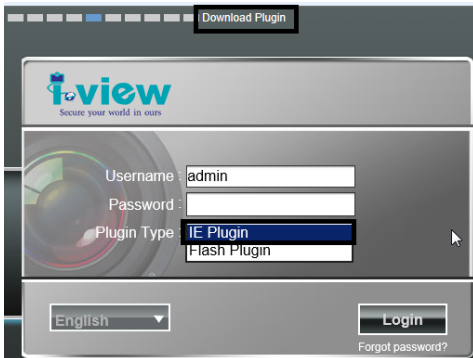
If you have several network connections, please disable connections that are not connected to IP camera, otherwise the IP Search Tool.exe program may fail to search IP camera.

### ❖ **Install Plug-in on IE, Chrome, Safari and Firefox Browser |**

You can connect to the IP camera by Internet Explorer or other web browsers for remote viewing by entering IP address in address bar. When you connect to IP Camera, the use login screen will appear when you get connected. Please enter the user name / password to login. Continue pressing the  icon will show the text of password.



The default User name / Password is “**admin / 123456**” and IP address is 192.168.0.123



If you connect to IP Camera first time from IE or Chrome, Safari and Firefox Browser, please follow up the process as below:

1. Please select the “**IE Plugin**” from “**Plugin Type**” section when you want to access IP camera via IE Browser. Select the “**Flash Plugin**” from “**Plugin Type**” section when you want to access IP camera via Chrome, Safari and Firefox Browser.
2. Please click “**Download Plugin**”. (Please refer the above photo).
3. Download the Plug in and double click to install the program.
4. Please turn off the Browser when you install the Plugin program.
5. Turn on the Browser when the Plugin program install completely.
6. Entry the IP, user name , password to access the IP camera.

7. For security reason, it will pop up change password message when you log in and pass the checking. Click "Ok" to set up a new password for next time login, press "Cancel" icon to ignore this message.



### ✧ Using RTSP Players

To view the video streaming media using RTSP players, you can use one of the following players that support RTSP streaming such as Quick Time Player, Real Player, VLC media player



The RTSP command code as below:

Main streaming: RTSP://User name:Password@ IP Address: RTSP Port /ch01\_264

Sub streaming: RTSP://User name:Password@IP Address:RTSP Port/ch01\_sub.264

Third streaming: RTSP://User name:Password@IP Address:RTSP Port/ch01\_third.264

For example: rtsp://admin:123456@192.168.1.185:554/ch01\_264 (Main streaming)

### ✧ Install NVR software

You can use your new Network IP Camera by its web user interface on a PC. There is a NVR software CD comes with IP camera which allow you run 32/64 channels IP cameras and refer the detail Web GUI operation manual of IP camera.

### ✧ Setting IP camera

Click “Start “>> “ All Programs” >> “Witness NVR32/64 Pro”, then select the “ Video Parameters setup-ezSetup” accessory program to setup the parameters.

**For its installation details, please refer to its related documents.**

