

## ❖ Packaging Contents

Check the contents of your new Network IP Camera when you unpack the package. If any item is missing, please contact your dealer of purchase for help. The package includes items as below:

- following items: Network IP Camera x 1ea
- Bundle NVR & CMS software CD x 1ea
- User manual x 1ea
- Mount panel x 1 ea
- Accessory package x 1 set



➔ Anchor 7x27 \* 3 ea

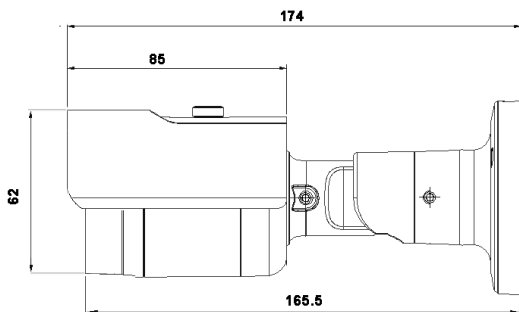
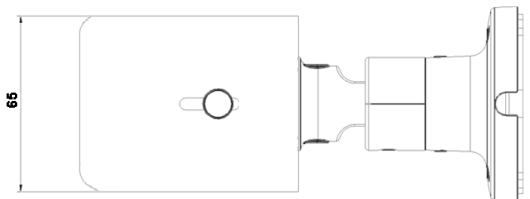


➔ Screw 4 x27 Tp1 Bnd Sus \*3 ea



➔ Mount hole sticker \* 1ea

## ❖ Product Dimension



Unit: mm

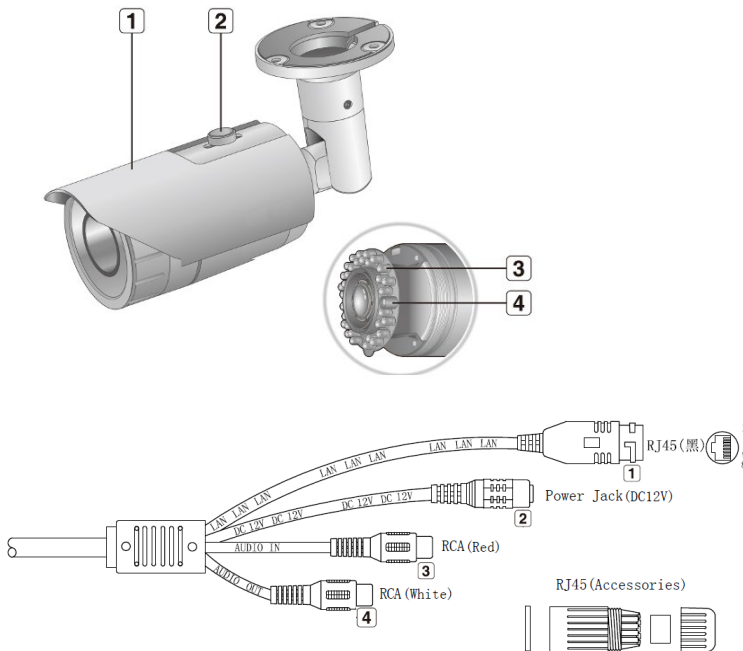
## ❖ Product Parts Description

### ➤ Front side items description:

1. **Sunshield:** It protects the camera from the direct sunlight.
2. **Sunshield Hold:** It fixed the sunshield with the camera.
3. **IR LED:** These infrared LED's are controlled by the illumination sensor.
4. **Illumination Sensor:** Detects incoming light to control the IRLED.

### ➤ Cables:

1. **RJ-45 male connector:** Water proof RJ-45 adapter to extent the transmission distance via UTP cable; then connect to POE Hub.
2. **Power cable:** Connect to DC12V power adapter when use none POE Hub.
3. **Audio in:** Plug microphone into RCA audio in port (Red color).
4. **Audio out:** Plug speaker into RCA audio out. (White color).

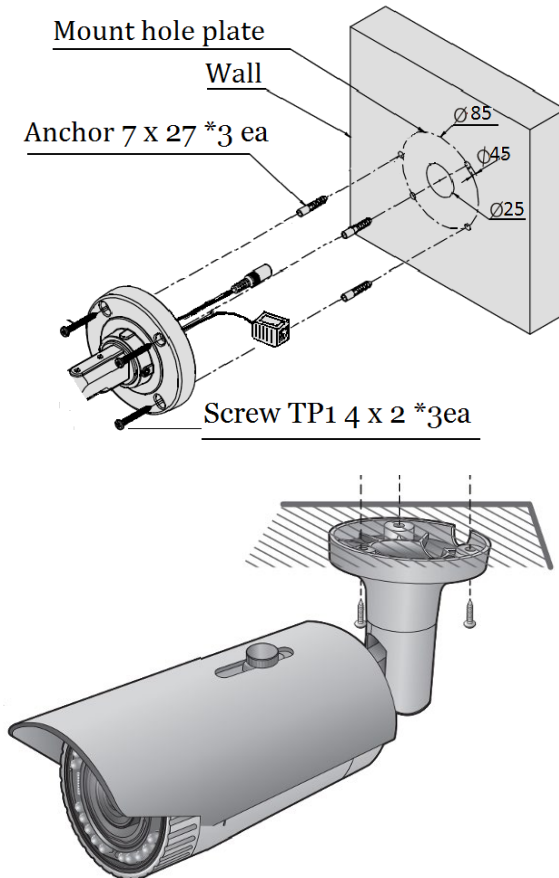


## ❖ Wall /Ceiling Mount installation

### ➤ Fix the camera

This camera is waterproof and in compliance with the IP66 spec, but the jack connected to the external cable is not. You are recommended to install this product below the edge of eaves to prevent the cable from being externally exposed.

- 1) Paste the mount hole sticker on the position that you want to install.
- 2) Use the mount hole sticker to make a hole of 30mm in diameter for passing cable, and drill another three holes on the wall to fix bracket mount.
- 3) Insert the anchors.
- 4) Fix the screws.



## ❖ Network Deployment

### General Connection (without PoE)



1. Connect RJ45 Ethernet cable to a switch. Use a Category 5 Cross Cable when your network camera is directly connected to PC.
2. Connect the power cable from the Network Camera to a power outlet.

### Power over Ethernet (PoE)



The Network Camera is PoE-compliant, allowing transmission of power and data via a single Ethernet cable. Follow the above illustration to connect the Network Camera to a PoE-enabled switch via Ethernet cable.

## ✧ Assigning an IP Address

You must know the IP address of IP Camera before you can connect to it. The IP Camera will use DHCP server on your local network to obtain an IP address automatically by default. So, you can check your DHCP server's IP address lease table to find the IP address of IP Camera or also can use the utility program 'IPSerch.exe' to find the IP address of IP Camera, which comes with the CD-ROM. Please follow up the processes as below to find out the IP address of IP camera by "IPSearch utility".

**Step 1.** Unzip "IP Camera search tools. rar" file which come with the DVD, and then double click the " Search Tools.exe program show the window as below.

**Step 2.** Press "Search" button to search for all IP Cameras on your local network.

**Step 3.** If you need to change IP address on the selected IP Camera, change the IP address and Gateway IP, then click the "OK" button to save the setting.

**Step 4.** If you no longer need to use this utility, click "Exit" button to close it.

**Step 5.** Select the device which list on the left section of diagram.



1. The default User name / Password is "admin / 123456" and IP address is 192.168.0.123.
2. Push the "Reset button" become to default setting when IP camera cannot connection.
3. Make sure all IP Cameras are powered on and connect to local network first.
4. The RTSP Streaming command code: **Main streaming:** rtsp://IP Address:Port/media/live/1/1  
**Sub streaming:** rtsp://IP Address:Port/media/live/1/2

## ✧ Run the IP camera from I.E. Browser

You can use your new Network IP Camera by its web user interface via I.E. web browser.

The requirements for viewing IP camera are as below:

➤ OS: Microsoft Windows 2000/XP/Vista/7/8 and Browser: I.E.7 or above.

## ✧ Install ActiveX Plug-in on I.E. Browser

You can connect to the IP camera by Internet Explorer or other web browsers for remote viewing by entering IP address in address bar. When you connect to IP Camera, the use login screen will appear when you get connected. Please entry the user name / password to login.

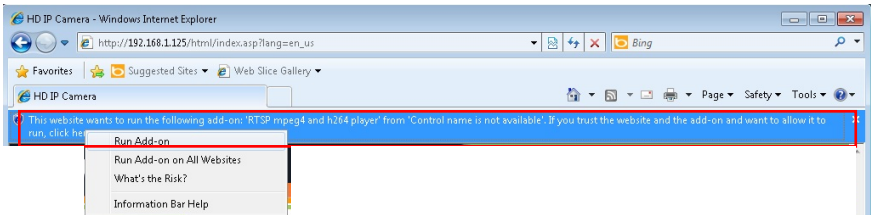


The default User name / Password is "admin / 123456" and IP address is 192.168.0.123

If you connect to IP Camera first time, you'll see the following message; this message prompts you that you need to install ActiveX plug-in before you can see the video from IP Camera.

❖ **IE 8 and earlier version:**

Right click the indication bar and click: "Install This Add-on for All Users on This Computer..." to install ActiveX plug-in.

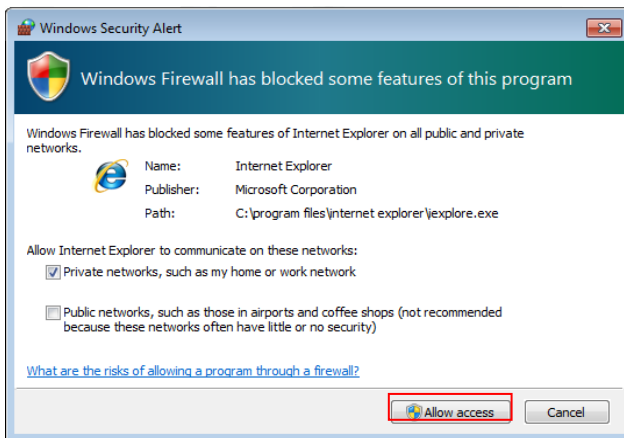


❖ **IE 9 version:**

Click 'Install' button located at the bottom of I.E. to install ActiveX plug-in. If you're prompted that the Windows Firewall has blocked some features of this program'

Click "Allow access" button to enable the IP Camera function properly.

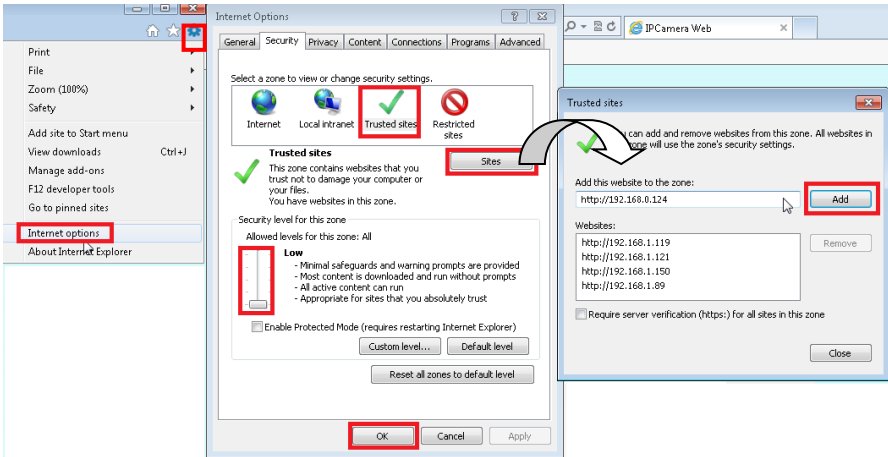
When you're installing Internet Explorer plug-in, you may also be prompted the diagram. Please click "Yes" to allow changes.



## ✧ IE 10 & IE 11 version:

Click 'Install' button located at the bottom of I.E. to install ActiveX plug-in. You need to do the process as below:

Click "Internet options" section, then choice "Security" tab >> "Trusted sites" and change the bar to "Low". Click "Sites" to add the trusted site for this IP camera. Please refer to the diagram.



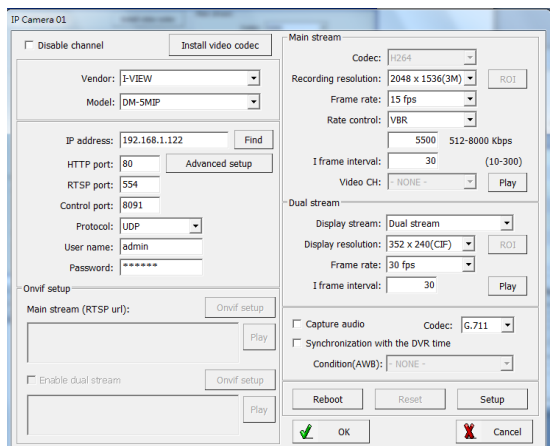
## ✧ Install NVR software

You can use your new Network IP Camera by its web user interface on a PC. There is a NVR software CD comes with IP camera which allow you run 32/64 channels IP cameras and refer the detail Web GUI operation manual of IP camera.

## ✧ Setting IP camera

Click "Start" >> "All Programs" >> "Witness NVR32/64 Pro", then select the "Video Parameters setup-ezSetup" accessory program to setup the parameters.

**For its installation details, please refer to its related documents.**



**Note:**

---