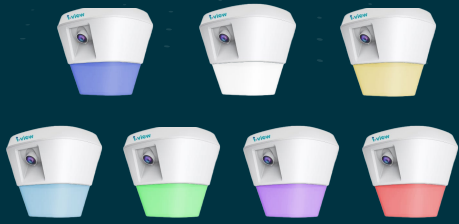




Secure your world in ours

**ParkCam®**

**Parking space detection camera**



**PC-3MIP**



**PC-6MIP**

6-Parking Space | 7 Colors | Tilt Control | Daisy-Chained | Bypass | 99% Accuracy | Wide Voltage

The ParkCam® Parking space detection camera combines video license plate recognition and parking status indicator LED snapshot function while communicating with the ParkHelper® Parking Space Management Server in real-time to provide parking the optimum parking space guidance solutions.

### Features



#### 6-PARKING SPACES DETECTION

ONE PARKCAM CAMERA CAN COVER UP TO 6 PARKING SPACES TO DETECT PARKING STATUS AND SNAPSHOTS.



#### 7-COLORS LED

THE LED INDICATOR SHOWS 7-COLORS DEPENDING ON THE STATUS OF THE PARKING SITE. THE USER CAN CUSTOMIZE THE COLOR MATCHING RELATIONSHIP BETWEEN THE EVENT AND THE PARKING SPACE.



#### 99% ACCURACY

VIEW'S PARKING GUIDANCE SYSTEM IS BASED ON ADVANCED VIDEO ALGORITHMS WITH OVER 99% ACCURACY IN PARKING SPACE DETECTION.



#### RESERVED PARKING SPACE

INSTANTLY CONTROL AND OPTIMUM TO ARRANGE THE VIP PARKING SPACE, ELIMINATING THE VIP PARKING SPACE OCCUPIED BY OTHERS.



#### 0% NONE-LOST PARKING STATUS

THE CAMERAS WILL CONTINUE TO DETECT OCCUPANCY VACANCY/UPDATE THEIR LED LIGHT RING, EVEN IF A NETWORK OR SERVER INTERRUPTION SHOULD OCCUR.



#### SAVE PARKING TIME

AVERAGE TO SAVE OVER 80% PARKING TIME OF CUSTOMERS DURING THE PERIOD OF PARKING LOTS ALMOST WHOLE.



#### QUICK INSTALLATION

THE PARKING CAMERA SUPPORTS A DAISY-CHAINED CONFIGURATION AND WIDE OPERATION VOLTAGE (DC10V~26V), USING A SINGLE UTP CABLE AND POWER CABLE FOR TEN CAMERAS INSTALLATION UP TO 100 METERS TRANSMISSION DISTANCE.



#### BYPASS WHEN DEFECTED

BYPASS THE FAILED DEVICES TO KEEP THE SYSTEM WELL WORKING WHEN USING THE DAISY-CHAINED CONFIGURATION.



#### LONG TIME PARKED CAR

AUTOMATICALLY DISCOVER VEHICLES PARKED FOR A LONG TIME AND NEVER MOVED.



#### SECURE YOUR CAR

PROTECT YOUR CAR BY VIDEO DURING THE PARKING PERIOD TO AVOID UNKNOWN DAMAGE.



#### NO LICENSE PLATE CAR

AUTO POP-UP ALARM MESSAGE WHEN DETECTING THE NO LICENSE PLATE CAR PARKING.



#### ADJUST VIEW ANGLE REMOTELY

THE BUILT-IN TILT MOTOR ADJUSTS THE CAMERA'S OPTIMUM VIEW ANGLE REMOTELY WITHOUT NEEDING ON-SITE VISITS.

### Related Products



ParkHelper® Parking Space Management Server

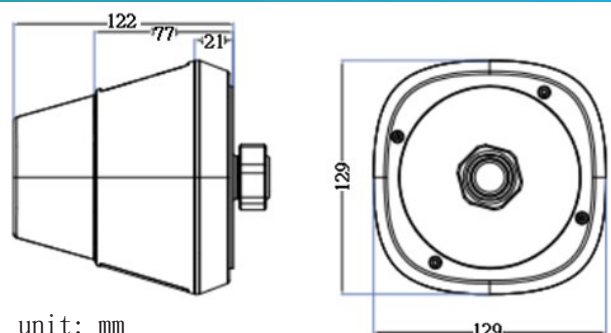


ParkDis® Parking Space Guidance Display



CarFinder® Find My Car Kiosk

### Diagram

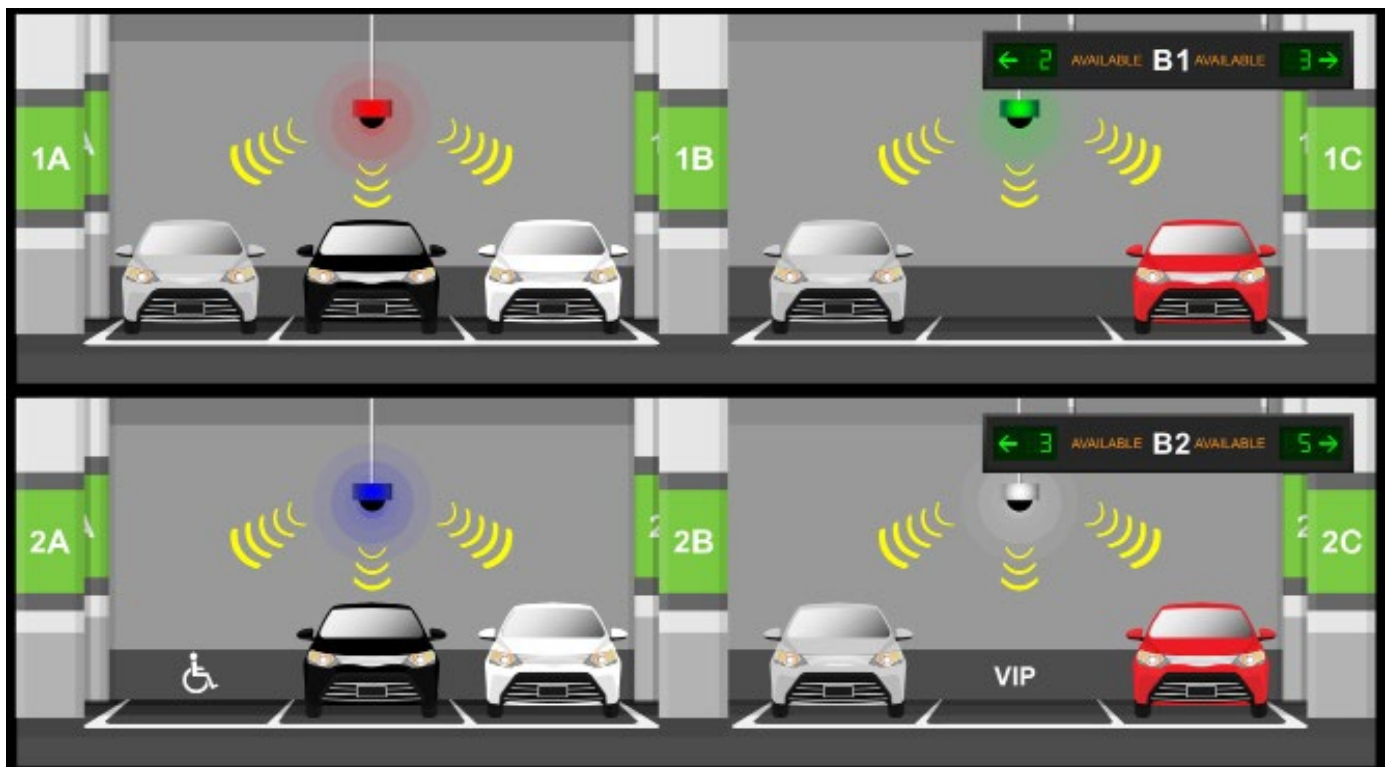


## Specification

Platform	Mstar DSP chipset; 512MB Flash; 1024MB DDR RAM and Linux 2.6 Embedded O.S.
Image Device	3 MP Sony progressive scan CMOS sensor.
Security	User name / Password Protection.
Management	
Time	Manual Time Setting; NTP Server support, DST Bias, and Real Time Clock.
Event Management	The camera will automatically transmit the parking space status to the HTTP server when a parking space change is detected.
Update	Online Firmware update.
Video Setting	
Compress	H.265/H.264/MJPEG · CBR/VBR mode, Frame, Bit Rate, and Quality adjustable. Bit Rate 512K~5M Bits/sec.
Resolution	Main stream: 2304x1296, 1280x720, 1920x1080 · Sub stream: 720*576, 640x360
Frame Rate	1-25fps @ all resolution and compression.
WDR	≥ 100 dB; DWDR / OFF Mode.
S/N Ratio	More than 50dB
Control	Brightness, Contrast, Saturation, Sharpness, AWB, AGC, WDR, 3D Noise reduction, exposure, HLC, BLC, Automatic/Manual Shutter, LED indicator, HLC, Flicker-less, Time/Text display.
Shutter	Automatic/Manual (1/1~1/1,000/s)
Parking status LED indicator	Support 7 colors indicator. Allow defining the LED color to match the parking events.
Illumination	Color: 0.01Lux/F1.2

I/O Port	RJ45 x 2, DC power jack, RS-485
OSD	Time/Text stamp display, position adjustable.
Lens	f= 2.8mm (H: 86° IV:65.3°) /F1.2 f= 4mm(H:73° IV:54.4°) /F1.2 (Optional)
Network	
Protocol	IIP4, TCP, RTSP, UDP, SMTP, FTP, DHCP, NTP, DNS, UPnP, HTTP, PPPoE, UPnP, Multicast, RTP, RTCP, SNTP
Interface	10BASE-T/100 BASE-Tx RJ-45 x2, RS-485
Connection	Support Daisy Chain and Star system structure.
Parking Space Indicator	The number of free parking spaces and directions can be shown on the LED display via the RS-485 port.
Distance	using a single UTP cable and power cable for 12 cameras installation up to 100 meters transmission distance.
Compatible	Onvif Profile S, RTSP compliant
Intelligent Detection	
Detect Parking Space	Real-time Parking Space detection algorithm, up to 99% accuracy.
Identify Time	Parking status identify less than 200ms.
Change LED Starts	From Free to Full parking space status: 1 second. From Full to Free parking space status: 3 seconds.
Detect Space	Detect 1/2/3/4/5/6 parking spaces simultaneously
Housing	
Motor	Built-in tilt motor allows adjusting view angle remotely.
Dimensions	129mm (W) x 129mm (L) x 122mm (H) 1.055Kg
Operation	
Power	Maximum 3W(PC-3MIP)   5W(PC-6MIP) ; DC10V~26V power input
Temperature	-20° C ~ 60° C; Humidity 20% ~ 80% RH
Certificated	CE, FCC, RoHS, IP55

## System Configuration



## Order Information

- PC-3MIP-F03: 3-parking space detection camera**
- PC-6MIP-F03: 6-parking space detection camera**
- PC-07EL: 7-Colors external light**



**i-View Communication Inc.**  
Tel: 886-3-5103001 Fax: 886-3-5103002  
Email: support@i-view.com.tw  
Website: www.i-view.com.tw