

# PARKLIT®

## Infrared / White Light Illuminator



### Infrared & White light | Multi-Angle | Fin-Type Heat Dissipation | Wide Voltage | Tempered Glass | IP67

ParkLit® is an advanced LPR fill light that utilizes the latest PESL (Platinum Elite SMT LED) wick technology. It is designed to produce brighter and farther lighting with lower power consumption. The ParkLit® is equipped with a replaceable emission angle lens, which provides uniform illumination where the camera needs to capture images most, thereby reducing unfavorable license plate recognition factors such as shadows, reflections, and overexposure. The product series includes two light source options: infrared light and white light. Depending on the license plate recognition application in different situations, users can choose the appropriate light source emission angle and intensity.

### Features

**Casing designed:** To adopt a die-cast all-aluminum one-piece design with sound anti-cracking and anti-corrosion effects.

**Heat dissipation:** The multi-fin heat dissipation design has an excellent effect, which can prevent the LED chipset from decaying and shorten the service life due to long-term high ambient temperature.

**Light transmittance:** High-strength tempered glass is used, which has the advantages of high light transmittance and is not easily damaged.

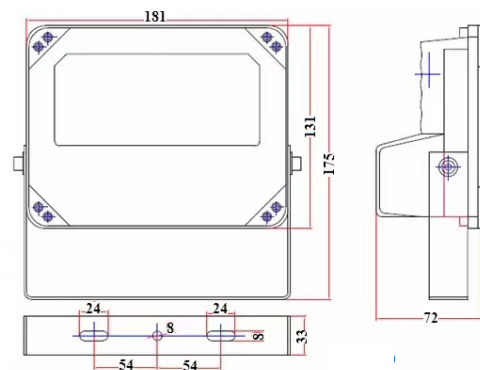
**Viewing angle:** Adopting a highly transparent one-piece lens makes the light source easier to focus and the angle control more precise.

**LED Chipset:** Using high-power PESL crystal core with long life, luminous solid efficiency, low light attenuation, and high conversion power.

### Specification

Light Source	Infrared: 850 nm   Visible: White light
IR Cut	Auto switch between day and night mode
Output Power	8~120 watts (Depending on model)
Emission Angle	5~120 degree lens (optional)
Chassis	
Shell	Multi-fin heat dissipationst; U-type bracket
Size/Weight	181mm (W) x 131mm (L) x 72mm (H)   1.2 Kg
Operation	
Input Voltage	AC100V~240V, 50Hz/60Hz
Operation	Temp.: -30° C~50° C; Hum.: 10%~90%
Certification	CE, FCC, RoHS, IP67

### Dimensional drawing



Unit: mm



### Order Information

**GE-aabbc-dd:** Light Illuminator

**aa=** Wattage ; **bb=** Emission angle ; **c=A:**850nm |

**C=**940nm Wavelength **dd= WL:** White light | IR: Infrared

**EX:** GE-1460A-IR means 14 Watt, 850nm, 60 Degree, Infrared light

