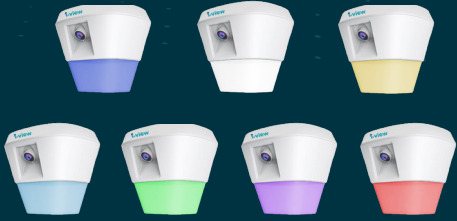




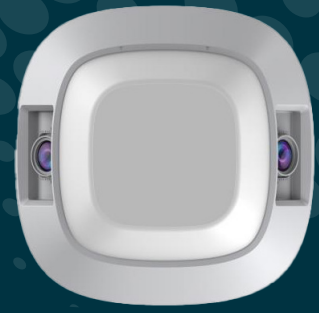
Secure your world in ours

ParkCam®

Parking space detection camera



PC-3MIP



PC-6MIP

6-Parking Space | 7 Colors | Tile Control | Daisy-Chained | Bypass | 99% Accuracy | Wide Voltage

The ParkCam® Parking space detection camera combines video license plate recognition, parking status indicator LED, snapshot function, while communicating with the ParkHelper® Parking Space Management Server in real-time to provide parking the optimum parking space guidance solutions.

Features



6 PARKING SPACES DETECTION

ONE PARK CAMERA CAN COVER 6 PARKING SPACES FOR CAR LICENSE PLATE RECOGNITION.



7-COLORS LED

THE LED INDICATOR SHOWS 7-COLORS DEPENDING ON THE STATUS OF THE PARKING SITE. THE USER CAN CUSTOMIZE THE COLOR MATCHING RELATIONSHIP BETWEEN THE EVENT AND THE INDICATOR.



99% ACCURACY

I-VIEW'S PARKING GUIDANCE SYSTEM IS BASED ON ADVANCED VIDEO ALGORITHMS WITH OVER 99% ACCURACY OF PARKING SPACE DETECTION.



RESERVED PARKING SPACE

INSTANTLY CONTROL AND OPTIMUM TO ARRANGE THE VIP PARKING SPACE, ELIMINATING THE PROBLEM OF VIP PARKING SPACE BE OCCUPIED BY OTHERS



0% NONE-LOST PARKING STATUS

THE CAMERAS WILL CONTINUE TO DETECT OCCUPANCY /VACANCY AND UPDATE ITS LED LIGHT RING, EVEN IF A NETWORK OR SERVER INTERRUPTION SHOULD OCCUR.



SAVE PARKING TIME

AVERAGE TO SAVE OVER 80% PARKING TIME OF CUSTOMERS AT THE DURING THE PERIOD OF PARKING LOTS ALMOST FULL.



QUICK INSTALLATION

PARKING CAMERA SUPPORTS DAISY-CHAINED CONFIGURATION AND WIDE OPERATION VOLTAGE (DC10V~26V), USING A SINGLE UTP CABLE AND POWER CABLE FOR 10 CAMERAS INSTALLATION UP TO 100 METERS TRANSMISSION DISTANCE.



BYPASS WHEN DEFECTED

BYPASS THE FAILED DEVICES TO KEEP THE SYSTEM WELL WORKING WHEN USING THE DAISY-CHAINED CONFIGURATION



LONG TIME PARKED CAR

AUTOMATICALLY DISCOVER VEHICLES THAT HAVE BEEN PARKED FOR A LONG TIME AND NEVER MOVED.



SECURE YOUR CAR

FULLY PROTECT YOUR CAR BY VIDEO DURING THE PARKING PERIOD TO AVOID UNKNOWN DAMAGE.



NO LICENSE PLATE CAR

AUTO POP-UP ALARM MESSAGE WHEN THERE IS NO LICENSE PLATE CAR PARKING.



ADJUST VIEW ANGLE REMOTELY

BUILT-IN MOTOR FOR OPTIMUM VIEW ANGLE OF CAMERA ADJUSTMENT REMOTELY, NO NEED THE INSTALLATION SITE VISITING.

Related Products



ParkHelper® Parking Space Management Server

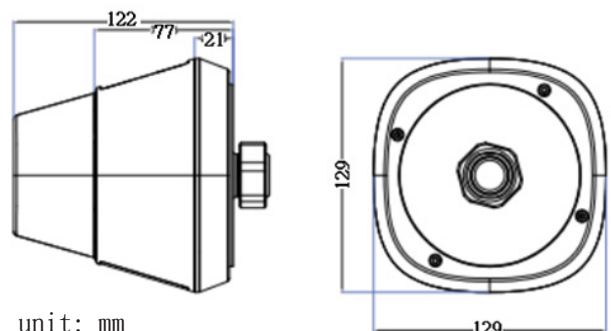


Parking Space Guidance Display



CarFinder® Parking Location Finding Server

Diagram

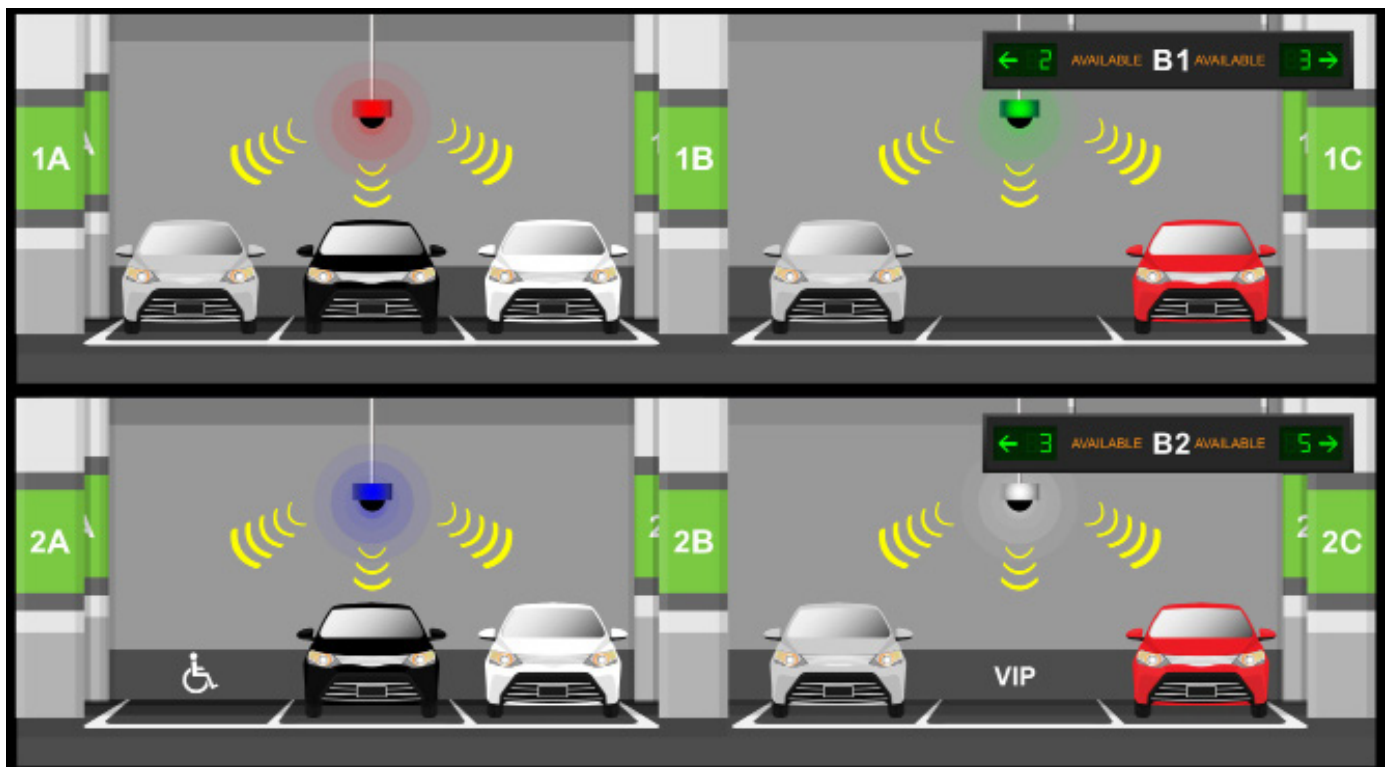


Specification

Platform	Mstar DSP chipset; 512MB Flash; 1024MB DDR RAM and Linux 2.6 Embedded O.S.
Image Device	3 MP Sony progressive scan CMOS sensor.
Security	User name / Password Protection.
Management	
Time	Manual Time Setting; NTP Server support, DST Bias and Real Time Clock.
Event Management	The camera will transmit the parking space status to the HTTP server automatically when a parking space change is detected.
Update	Online Firmware update.
Video Setting	
Compress	H.265/H.264/MJPEG · CBR/VBR mode, Frame, Bit Rate and Quality adjustable. Bit Rate 512K~5M Bits/sec.
Resolution	Main stream: 2304x1296, 1280x720, 1920x1080 · Sub stream: 720*576, 640x360
Frame Rate	1-25fps @ all resolution and compression.
WDR	≥ 100 dB; DWDR / OFF Mode.
S/N Ratio	More than 50dB
Control	Brightness, Contrast, Saturation, Sharpness, AWB, AGC, WDR, 3D Noise reduction, exposure, HLC, BLC, Automatic/Manual Shutter, LED indicator, HLC, Flicker-less, Time/Text display.
Shutter	Automatic/Manual (1/1~1/1,000/s)
Parking status LED indicator	Support 7 colors indicator. Allow defining the LED color matching the parking events
Illumination	Color: 0.01Lux/F1.2

I/O Port	RJ45 x 2, DC power jack, RS-485
OSD	Time/Text stamp display, position adjustable.
Lens	f= 2.8mm (H: 86° IV:65.3°) /F1.2 f= 4mm(H:73° IV:54.4°)/F1.2 (Optional)
Network	
Protocol	IIP4,TCP,RTSP,UDP,SMTP,FTP,DHCP,NTP,DNS,UPnP,HT TP,PPPoE,UPnP,Multicast,RTP,RTCP,SNTP
Interface	10BASE-T/100 BASE-Tx RJ-45 x2 , RS-485
Connection	Support Daisy Chain and Star system structure.
Parking Space Indicator	The number of free parking spaces and directions can be shown on the LED display via the RS-485 port.
Distance	using a single UTP cable and power cable for 12 cameras installation up to 100 meters transmission distance.
Compatible	Onvif Profile S, RTSP compliant
Intelligent Detection	
Detect Parking Space	Real-time Parking Space detection algorithm, up to 99.8% accuracy.
Identify Time	Parking status identify less than 200ms.
Change LED Starts	From Free to Full parking space status: 1 second. From Full to Free parking space status: 3 seconds.
Detect Space	Detect 1/2/3/4/5/6 parking spaces simultaneously
Housing	
Dimensions	129mm (W) x 129mm (L) x 122mm (H) 0.55Kg
Operation	
Power	Maximum 3W(PC-3MIP) 5W(PC-6MIP) ; DC10V~26V power input
Temperature	-20° C ~ 60° C; Humidity 20% ~ 80% RH
Certificated	CE, FCC, RoHS, IP65

System Configuration



Order Information

PC-3MIP-F03: 3-parking space detection camera

PC-6MIP-F03 6-parking space detection camera



i-view

Tel: 886-3-5103001

Fax: 886-3-5103002

Email: support@i-view.com.tw

Website: www.i-view.com.tw